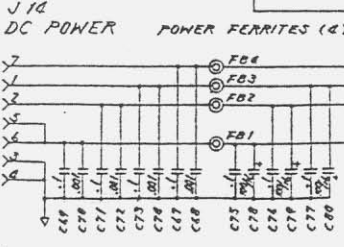
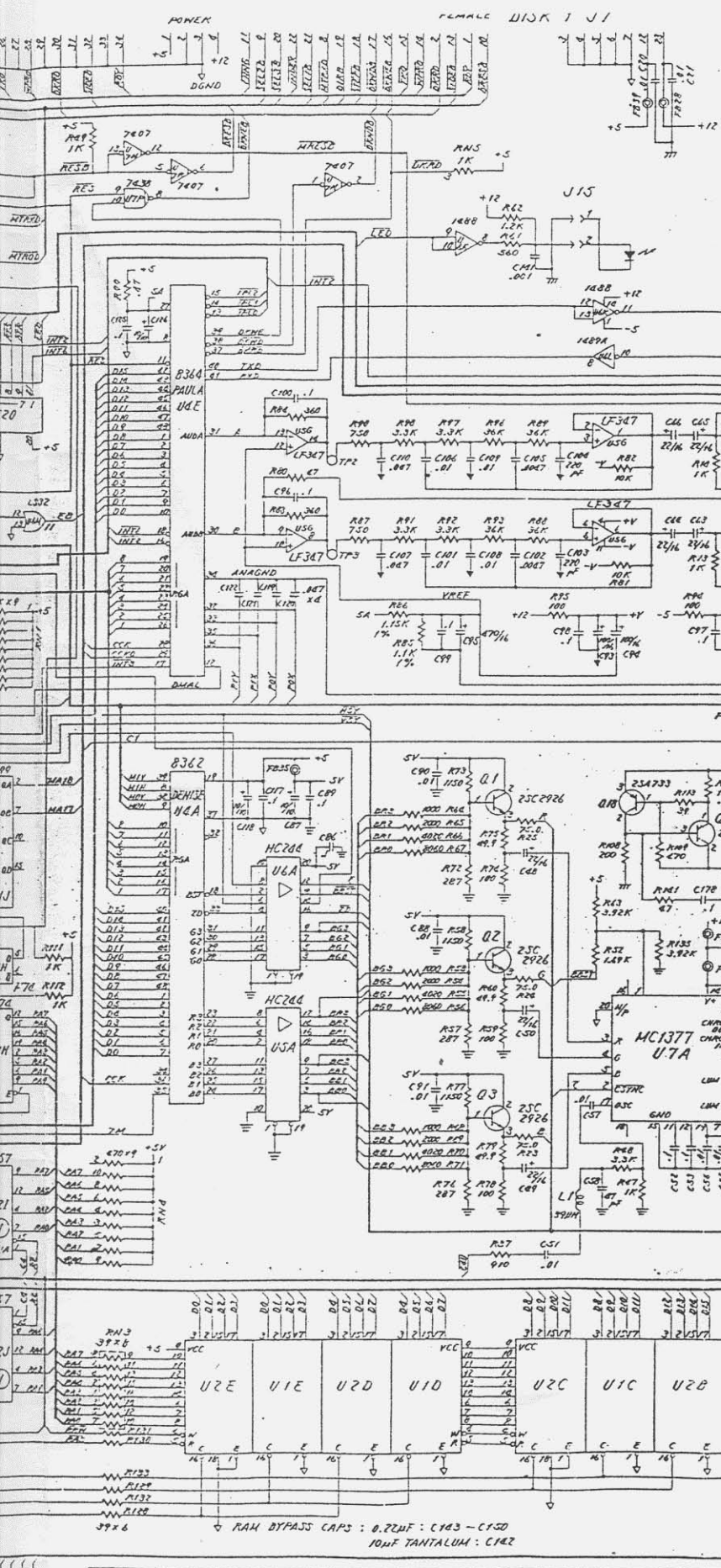


① = THIS IC MOVED UP TO RAM ROM BOARD.

SGND	SHIELD
DGND	DIGITAL
VGND	VIDEO
AGND	AUDIO



C81-85, C111-113, C115, C127-132, C134-138, C151-156, C158, C159.



LTR	ZONE	DESCRIPTION	DATE	APPROVED
A		PRODUCTION RELEASE	8-16-85	[Signature]
B		REVISED PER ECO 870119	1-23-87	[Signature]
C		REVISED PER ECO 870377	10-25-87	[Signature]

SERIAL FEMALE J6

LEFT (0) FEMALE J12
 FORWARD V
 FIRE
 BACK H
 +5
 LEFT V6
 SGND
 RIGHT H6
 POT Y
 POT X

RIGHT (1) MALE J11

RF MOD J2

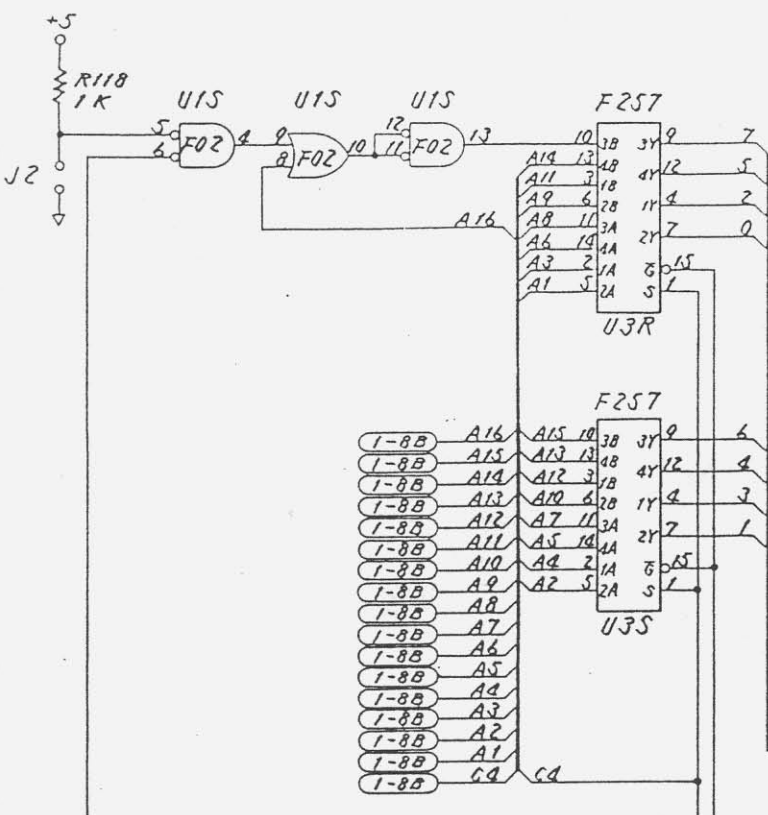
COMP J1

RGB MALE J3

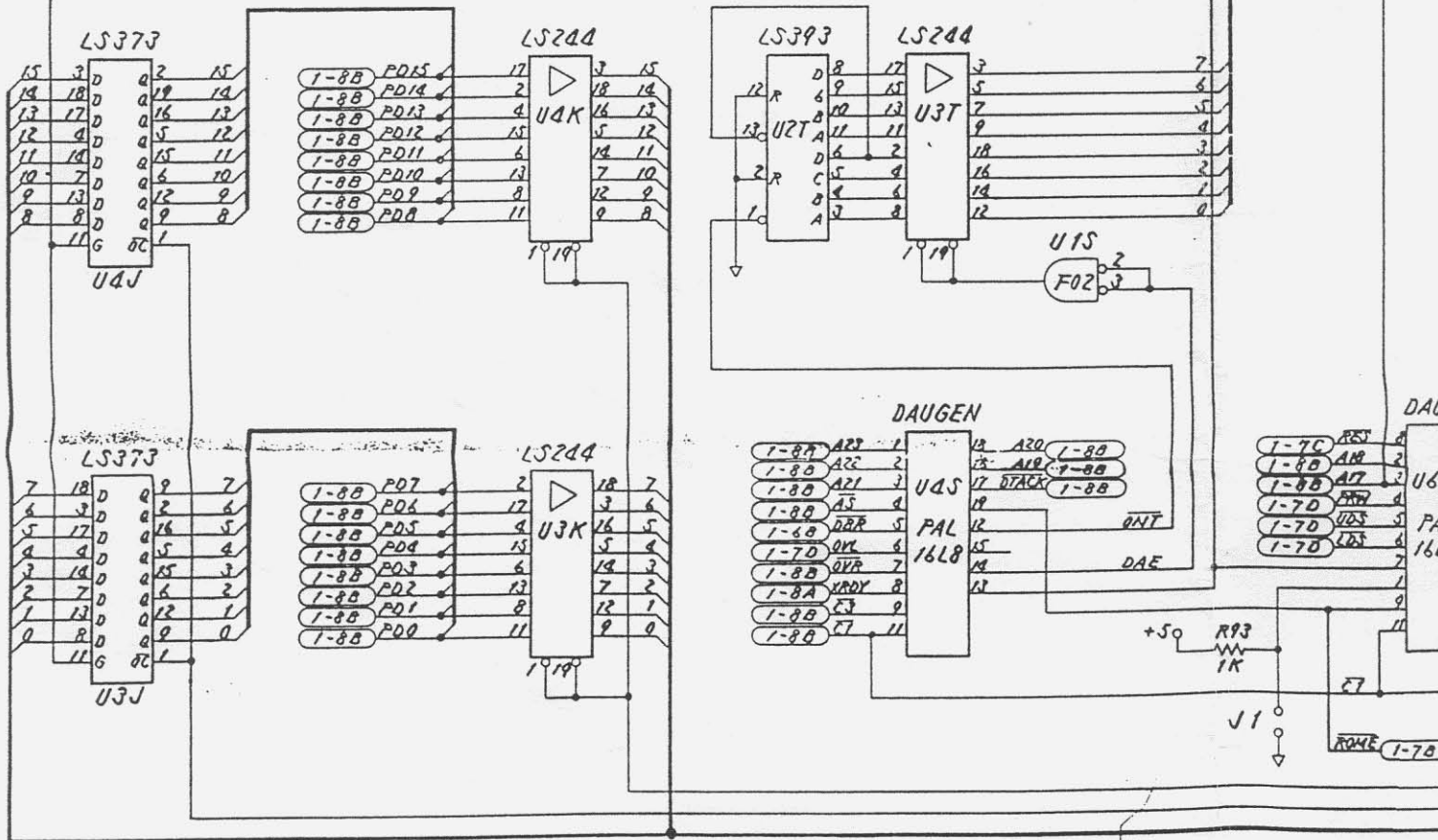
RAM BYPASS CAPS : 0.22UF : C143 - C150
 10UF TANTALUM : C142

RAM EXPANSION P1

UNLESS OTHERWISE SPECIFIED TOLERANCES ON DECIMALS ARE: R - RESISTORS C - CAPACITORS	DRAWN BY: S. Ogawa 8-16-85	DATE: 8-16-85	commodore
	USED ON: AMIGA 1000	NEXT ASSY:	
SIZE: D	328015	REV: C	SCALE: NONE SHEET 1 OF 1



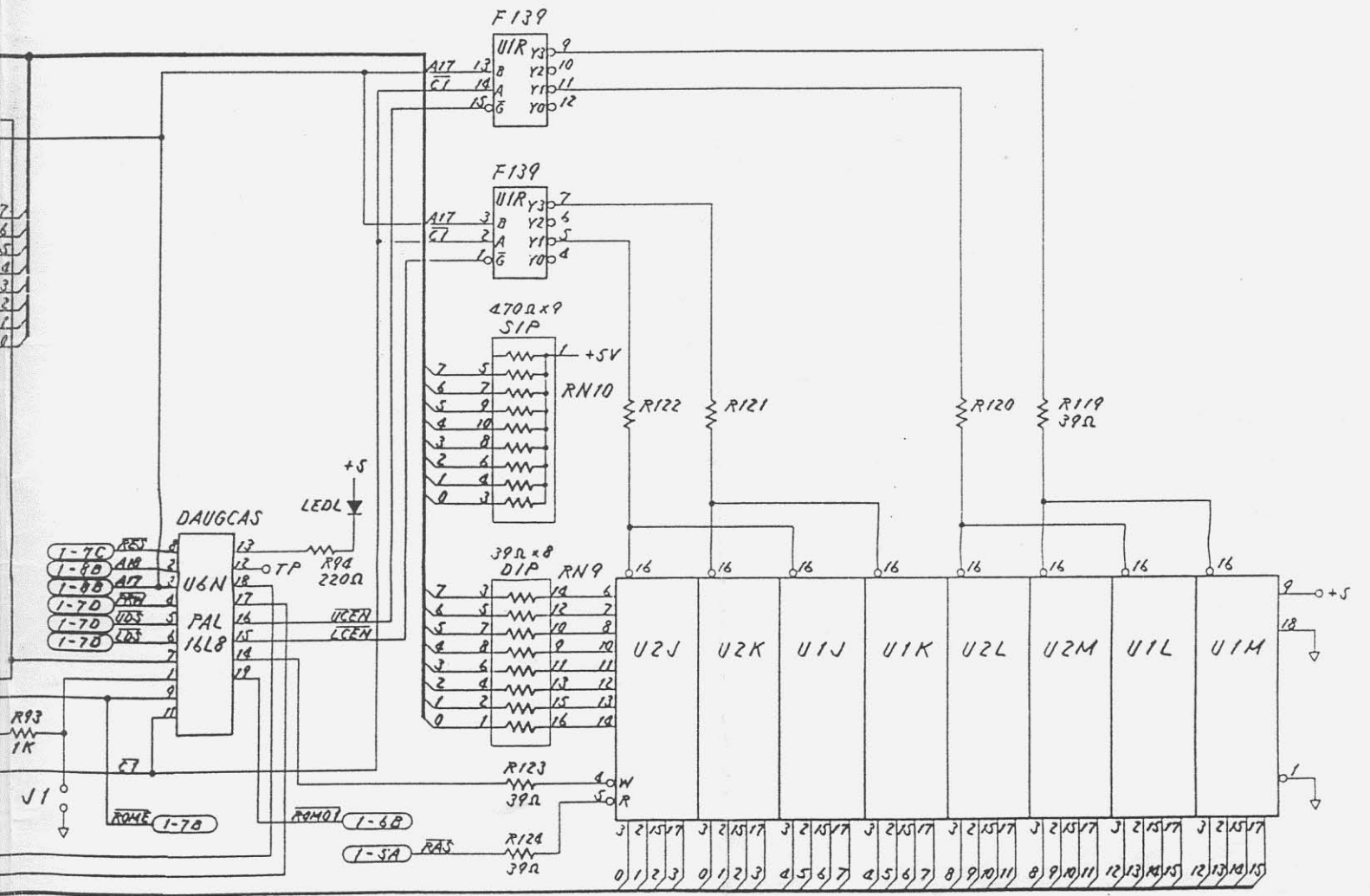
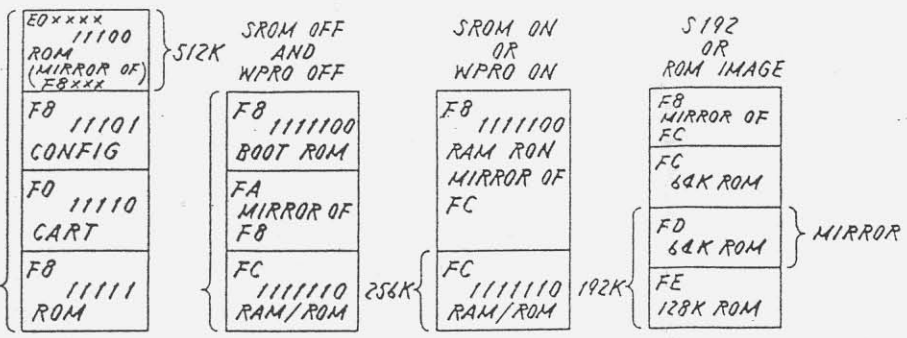
2MEG	00xxxx 00000 DISPLAY RAM	E0xxx E7xx ARE LOCATED OVERLAY
	20xxxx 00100 EXPANSION	
	40xxxx 01000 EXPANSION	
	80xxxx 10000 EXPANSION	E0xxxx 11 ROM (MIRRO E8xxx)
	A0xxxx 10000 6526 8FD00 8FE00	F8 11 CONF
	C0xxxx 11000 CUSTOMS DFF00	F0 11 CART
	E0xxxx 11100 ROM	F8 11 ROM



00xxx
 00000
 DISPLAY
 RAM
 00xxx
 00100
 EXPANSION
 00xxx
 01000
 EXPANSION
 00xxx
 10000
 EXPANSION
 00xxx
 10000
 526
 BFD000
 BFE000
 00xxx
 11000
 CUSTOMS
 OFF000
 00xxx
 11100
 ROM

E0xxx E7xxx, E8xxx
 ARE LOCATED WERE
 OVERLAY

REVISIONS			DATE	APPROVED
LTR	ZONE	DESCRIPTION	12/5/85	T. Takuda
		SEE SHEET 1		



UNLESS OTHERWISE SPECIFIED TOLERANCES ON: DECIMALS .XX .XXX .4S MATERIAL: FINISH:	DRAWN BY: S. Ogawara CHKD: G. Chiba ENGR: T. Takuda APPR:	DATE: 11-18-85 11-18-85 12/8/85	commodore SCHEMATIC, AMIGA 4 LAYER
	USED ON: AMIGA 1000 NEXT ASSY:	SIZE: C SCALE: NONE	

A1000 DAUGHTER BOARD
 DAUGHTER BOARD SCHEMATIC. 2 OF 2