



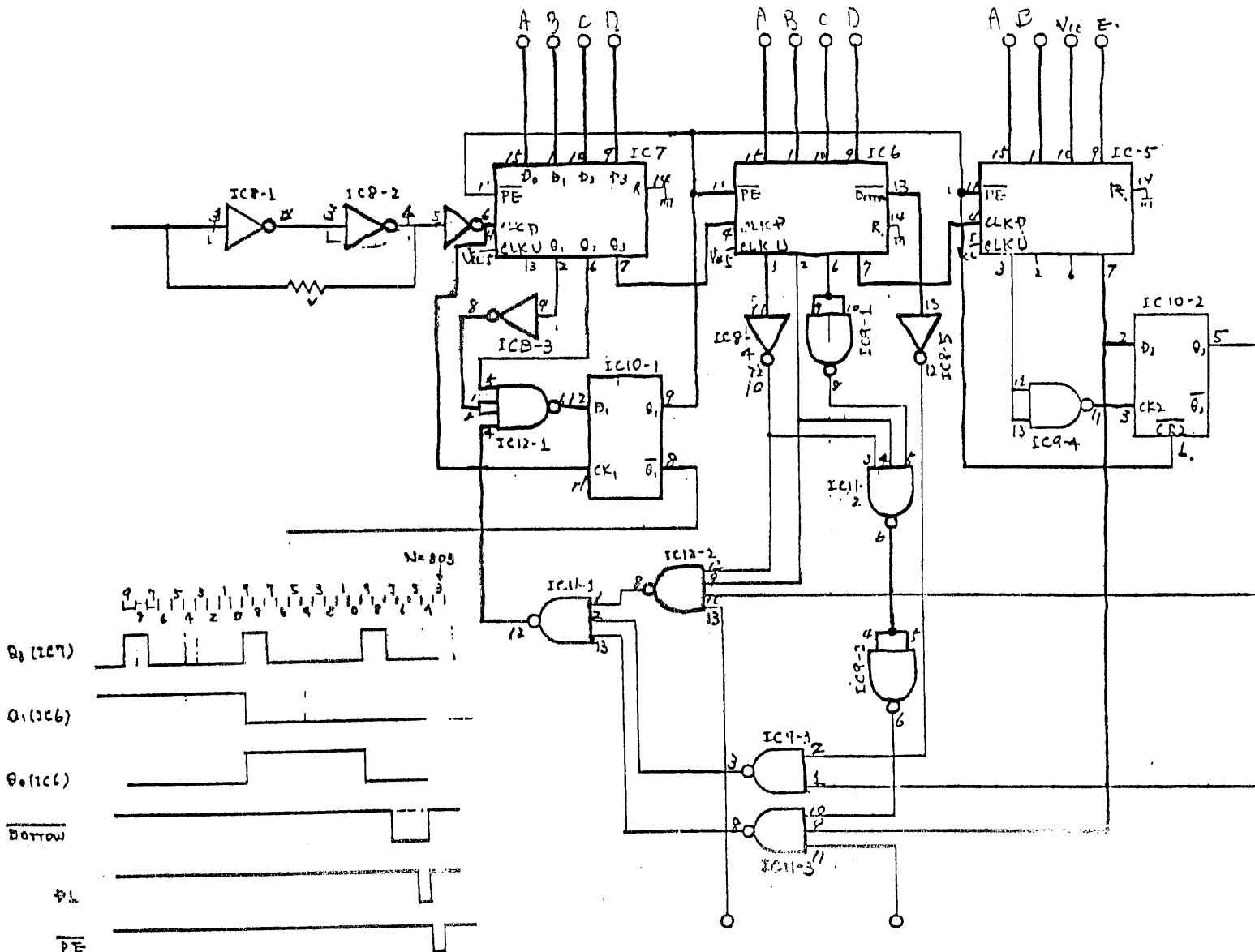
SERVICE BULLETIN

from: TRIO-KENWOOD COMMUNICATIONS, INC.

SUBJECT: Changes in PD Unit Of The TR-7400A

DATE 1-19-79

There was a temporary production change in the PD Unit of the TR-7400A. This change effected the 73XXX and 74XXX series units only. The change was made because of the Motorola MC-4016P IC was not available. The Texas Instruments' SN74LS192 IC was used as a replacement. It is not a direct replacement, though. It was also necessary to change IC-8 from a TD-3400AP to a TD3404. This series of PD Units is easily recognized because of the three SN74LS192 IC's are mounted in socket instead of being soldered in place. The PC board was changed to J25-2512-03T instead of J25-2512-03 for this change. The schematic is shown below.



X50-1380-10

