



SERVICE BULLETIN

from: TRIO-KENWOOD COMMUNICATIONS, INC.

51

SUBJECT: TS-120S FINAL PROTECTION

DATE 7/27/79

TS-120S Final Protection

If for any reason work is performed in the Final unit, install two additional parts to the Filter unit X51-1200-00. This will improve protection action.

Procedure:

1. Remove top and bottom covers.
2. Remove Final unit (6screws).
3. Filter unit X51-1200-00 will be exposed. Install between Q3 Base, and TP-1, series wired diode and resistor D14 and R34.

No adjustments are necessary.

New Part number D14 1S1555 V11-0076-05
R34 4.7K ohm

PLEASE NOTATE YOUR SERVICE MANUAL

JEB/yn



Fig-1

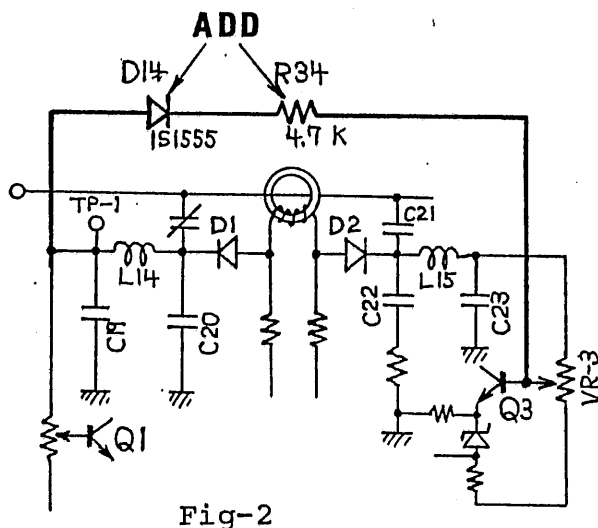


Fig-2

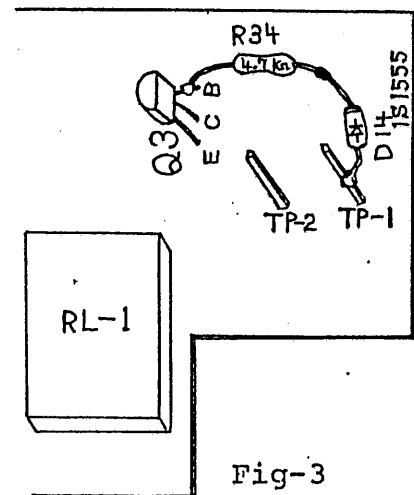


Fig-3