



# SERVICE BULLETIN

from: TRIO-KENWOOD COMMUNICATIONS, INC.

TR-7600/TR-7625

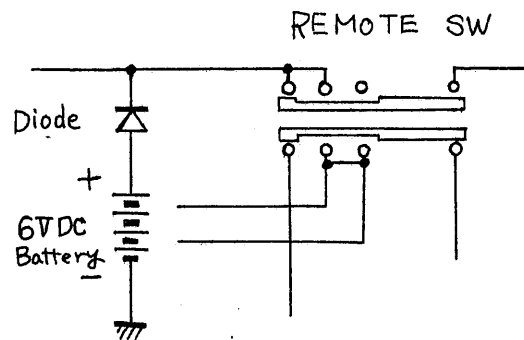
#806

SUBJECT: TR-7600, TR-7625 BATTERY MEMORY BACKUP

DATE 2/7/80

Memory in either radio may be retained by installing a battery inside the unit. This feature would be useful when transporting the radio base to mobile, or when operating base. The AC supply can be shut off while retaining the single memory.

Obtain and install a small 6V DC battery, appropriately secured and insulated, inside the radio. Wire as illustrated through a diode. Current drain will be approximately 0.5mA with the main supply OFF.



JEB/yn