



SERVICE BULLETIN

from: TRIO-KENWOOD COMMUNICATIONS, INC.

TR-9000

#824

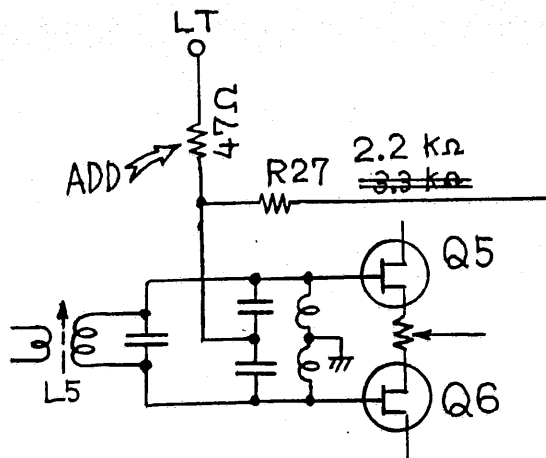
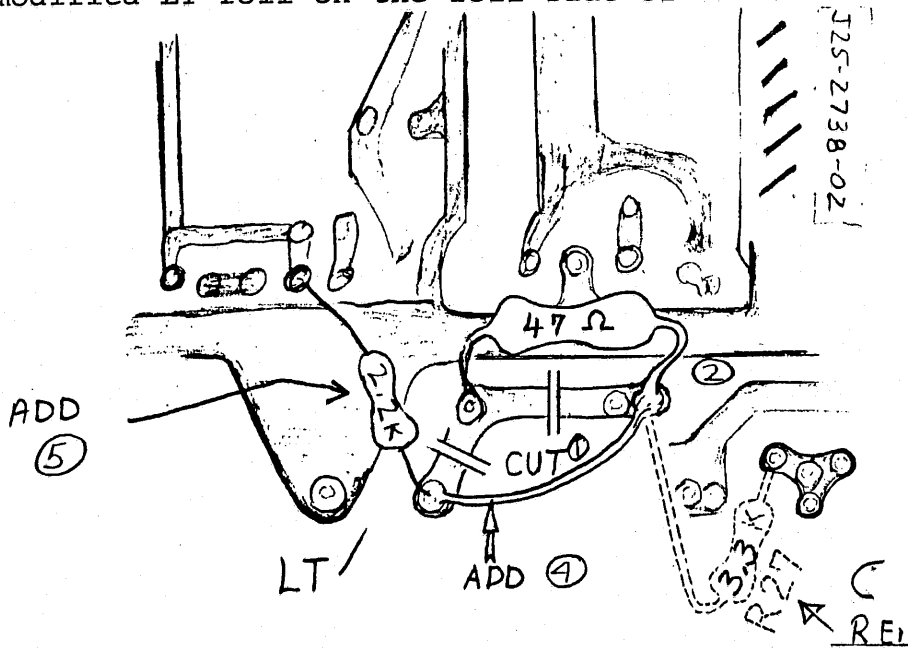
SUBJECT: TR-9000 CW, SSB TX INSTABILITY

DATE 5/29/80

Complaints of FMing in SSB, or CW chirp may be eliminated by minor changes to the TX mixer circuit.

On the TX unit X56-1370-10, perform the following changes:

1. Cut the LT foil path.
2. Install a 47Ω resistor on the foil side of the PCB.
3. Remove R27, $3.3K\Omega$ and delete.
4. Jumper the cut foil.
5. Install a $2.2K\Omega$ resistor from Q12 collector to the modified LT foil on the foil side of the PCB.



JEB/yn

TRIO-KENWOOD
COMMUNICATIONS, INC.

1111 WEST WALNUT STREET - COMPTON, CALIFORNIA 90220
MAILING: P.O. BOX 7065 - COMPTON, CALIFORNIA 90224