

# SERVICE BULLETIN

from: TRIO-KENWOOD COMMUNICATIONS, INC.

TR-2400

830

SUBJECT: TR-2400 TX NOISE

DATE 7/31/80

Some units may exhibit excessive background noise (up to several hundred Hertz deviation). This may be reduced or eliminated by installing an additional shield between the Display and PLL units.

This change applies only to units between serial numbers 011xxxx and 101xxxx. Radios before this group (with a momentary REV switch) will not show improvement by addition of this shield. Refer to Service Bulletin 815 for this early group.

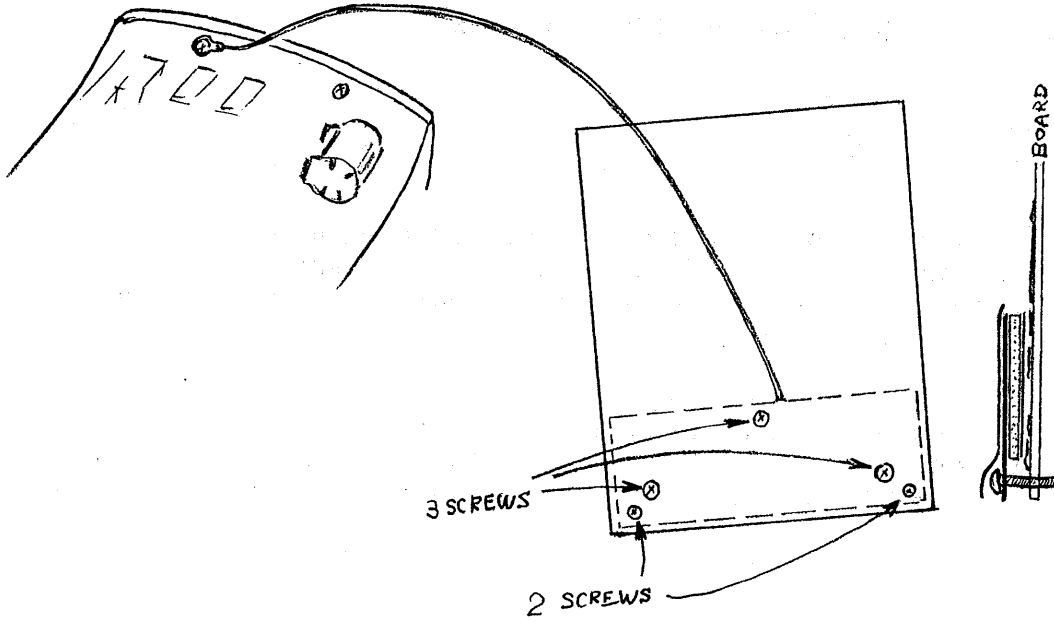
Units appearing with serial numbers after 101xxxx will have this shield factory installed.

Parts supplied

N09-0627-05 Pan head screw 3 pcs.  
F10-1627-04 Shield w/lead 1 pc.

Procedure:

1. Remove 4 rear case screws, and 2 screws from inside the battery compartment.
2. Separate front case from body. DON'T tear leads.
3. Remove 2 small and three large screws from the bottom edge of the Display unit. Save the two small screws.
4. Install the three pan head screws in place of the round head screws.
5. Install the shield foam towards the Display. Lift the protective plastic only enough to secure the shield with the two small screws. Cover the screw heads with the plastic film.
6. Secure the shield ground under the small Phillips screw located between the BUSY/OPEN and S TONE switches.
7. When reassembling, the wiring harness must be positioned to the right of crystal X2 (46.1666MHz) or the case will not close correctly, and wires will be pinched.
8. Close the case and reinstall 6 screws.



JEB/yn

Installation time for this shield is approximately 1/2 hour.