



# SERVICE BULLETIN

from: TRIO-KENWOOD COMMUNICATIONS, INC.

TR-7800

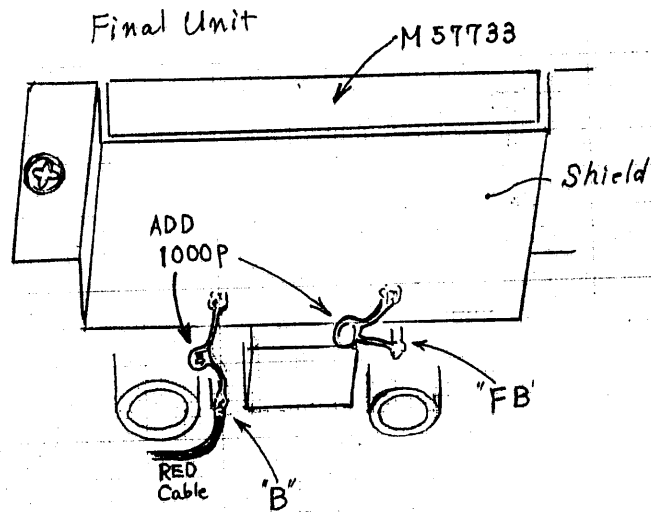
#834R2

SUBJECT: TR-7800 PULSE NOISE

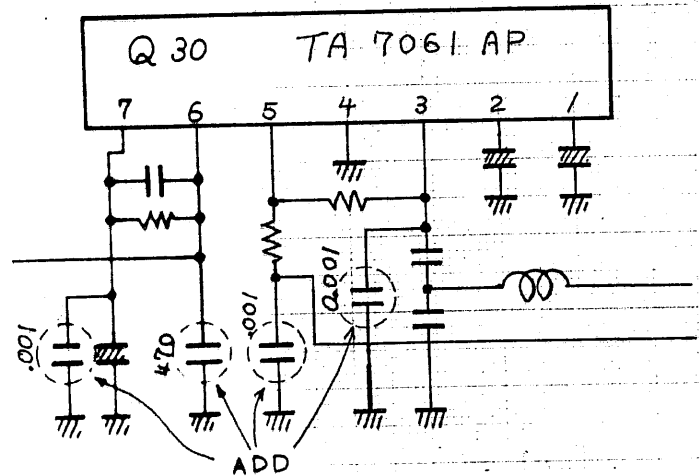
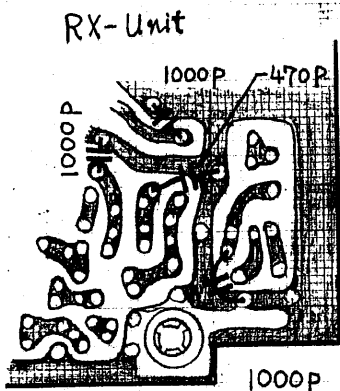
DATE 01/06/81

Low level Pulse Noise reported in high power TX, or as a buzz from the speaker during TX, may be reduced or eliminated by the following steps.

1. If not already present, install a shield (F11-0781-04) and two 1000pF capacitors (C52-1710-26) at the final amplifier module M57733 as shown.



2. On the RX unit X55-1270-10 add three additional 1000pF caps (C52-1710-26) and one additional 470pF cap (C52-1747-16) as shown.



Installation time for this procedure is approximately 1/2 hour.

JEB/yn

TRIO-KENWOOD COMMUNICATIONS, INC.

1111 WEST WALNUT STREET · COMPTON, CALIFORNIA 90220  
MAILING: P.O. BOX 7065 · COMPTON, CALIFORNIA 90224