

# SERVICE BULLETIN

from: TRIO-KENWOOD COMMUNICATIONS, INC.

TR-7850

#846

SUBJECT: TR-7850 RF LED meter

DATE 7/29/81

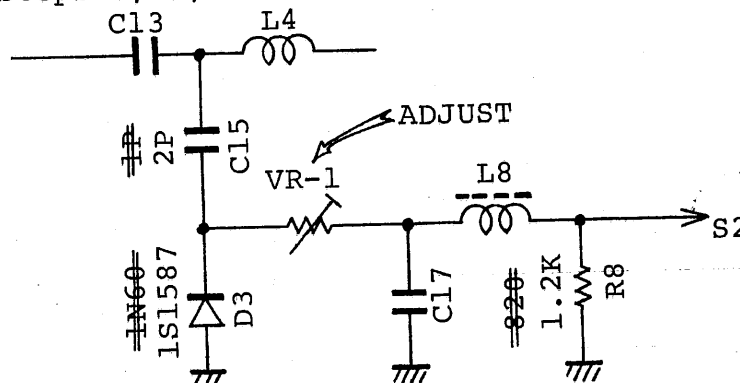
The RF LED meter may show reduced output after continuous transmission, while output actually remains constant. Changing components on the Final unit will correct this problem. This change applies to units before serial number 201xxxx.

## Procedure

1. Remove the top cover (four screws), & unplug the speaker.
2. Remove the bottom cover (four screws).
3. Remove four screws holding the heatsink and swing the sink down.
4. Without changing coil spacing, desolder L6 which connects from the ANT pad on the Final unit to the PL-259, at the Final unit.
5. Remove five screws holding the Final unit PCB X45-1180-10, one screw holding Q6 2SD880, and two screws holding the final hybrid module Q1, M57726.
6. Change the following parts:

C15    1pf   to 2pf    (CC45CH1H020C)  
D3     1N60   to 1S1587 (V11-0370-05)  
R8     820 $\Omega$    to 1.2k $\Omega$  (RD14CB2E122J)

7. Insure adequate thermal compound on Q1 & Q6, and that the mica washer is correctly positioned under Q6. Reverse steps 5 & 4 to partially assemble.
8. Cable-up power and a dummy load. Readjust VR1 on the Final unit at 147.0MHz, high power setting for five LED's ON. Switch to low power and verify 3 LEDs ON.
9. Remove power from the unit and complete reassembly by reversing steps 3, 2, & 1.



NOTE: Installation time for this procedure is  $\frac{1}{2}$  hour or less.

JEB/sh