



SERVICE BULLETIN

from: TRIO-KENWOOD COMMUNICATIONS, INC.

TR-7800, TR-7850

#860

SUBJECT: Memory Channel 7 Indicator Erratic

DATE 04/14/82

When Memory Channel 7 is selected, the LED may fail to indicate the number 7, although frequency is correctly recalled and all other operations are normal. Cause is incorrect voltage level at Q16 & Q17, and is related to individual differences between these IC's. Correction is by changing one resistor value on the Control unit.

On the Control unit X53-1180-xx, replace R38 from 3.9k Ω to a 1.8k Ω resistor (RD14CB2E182J). No adjustments are required.

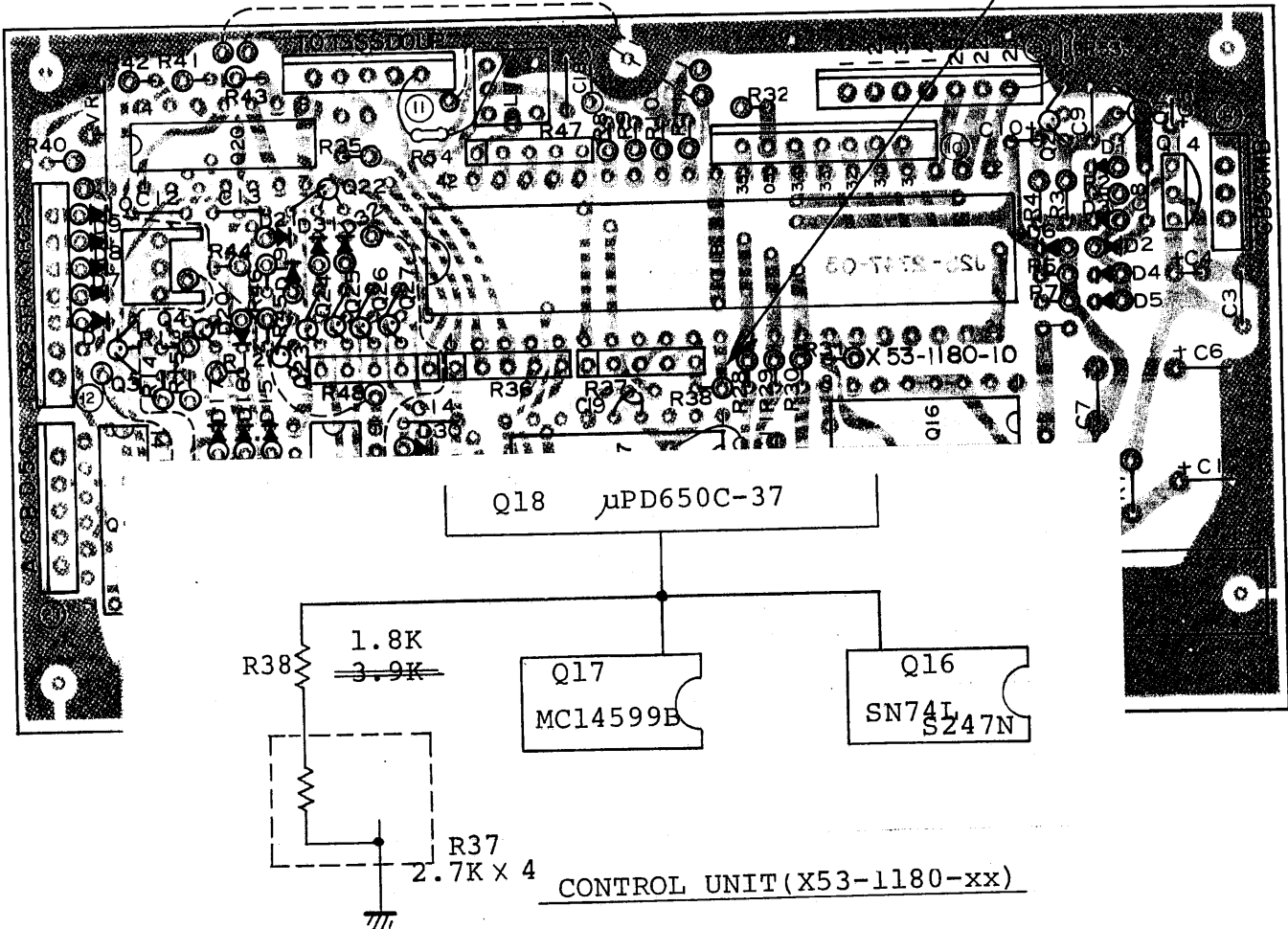
This change should be performed only as necessary, and applies to units before serial number 205xxxx.

Installation time for this procedure is $\frac{1}{2}$ hour or less.

PC BOARD VIEWS

▼ CONTROL UNIT (X53-1180-XX) XX: 10(K), 61(W)(T)

~~3.9K~~ → 1.8K



JEB/sh

TRIO-KENWOOD
COMMUNICATIONS, INC.

1111 WEST WALNUT STREET - COMPTON, CALIFORNIA 90220
MAILING: P.O. BOX 7065 - COMPTON, CALIFORNIA 90224