

SERVICE BULLETIN

AMATEUR RADIO

SUBJECT

TS-930S Noisy Power Supply Fan

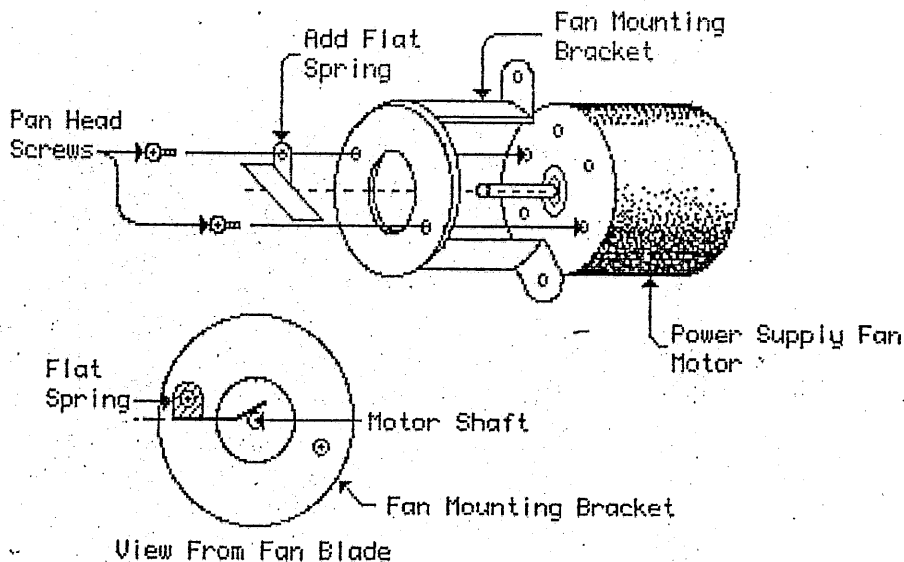
DATE

3-1-85

Some users of the TS-930S have reported that the Power Supply Fan motor makes excessive noise. This fan motor was originally designed to drive a pulley system. By adding a small amount of lateral tension to the motor shaft this noise is reduced or eliminated. The procedure listed below should correct any tendency of this motor to make noise.

Parts Required: Flat Spring Part Number.....G02-0549-04

Add the Flat Spring as shown in the figures below.



Time Required for this modification is 1/2 hour or less. CLM