

KENWOOD

912

SERVICE BULLETIN

AMATEUR RADIO

SUBJECT TS-940S TRANSMITTER HUM IN SSB

DATE
9-15-86

For reports of a low level audio hum superimposed on the normal transmitted audio, especially when the Speech Processor is used perform the following modification.

Parts required

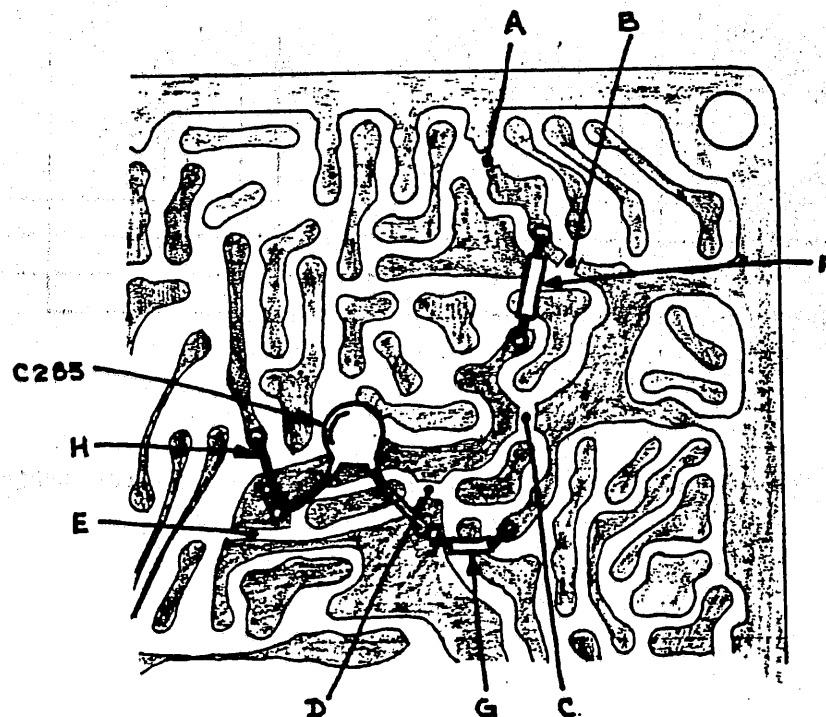
C285 .01 uF 50 v Disc Ceramic capacitor CK45F1H103Z

Procedure:

On the IF UNIT (X48-1430-00) make the following changes:

- Cut the foil patterns labeled A-E in figure 1.
- Add the jumpers wires labeled F-H in figure 1.
- Add capacitor C285 .01 uF 50 v as shown.

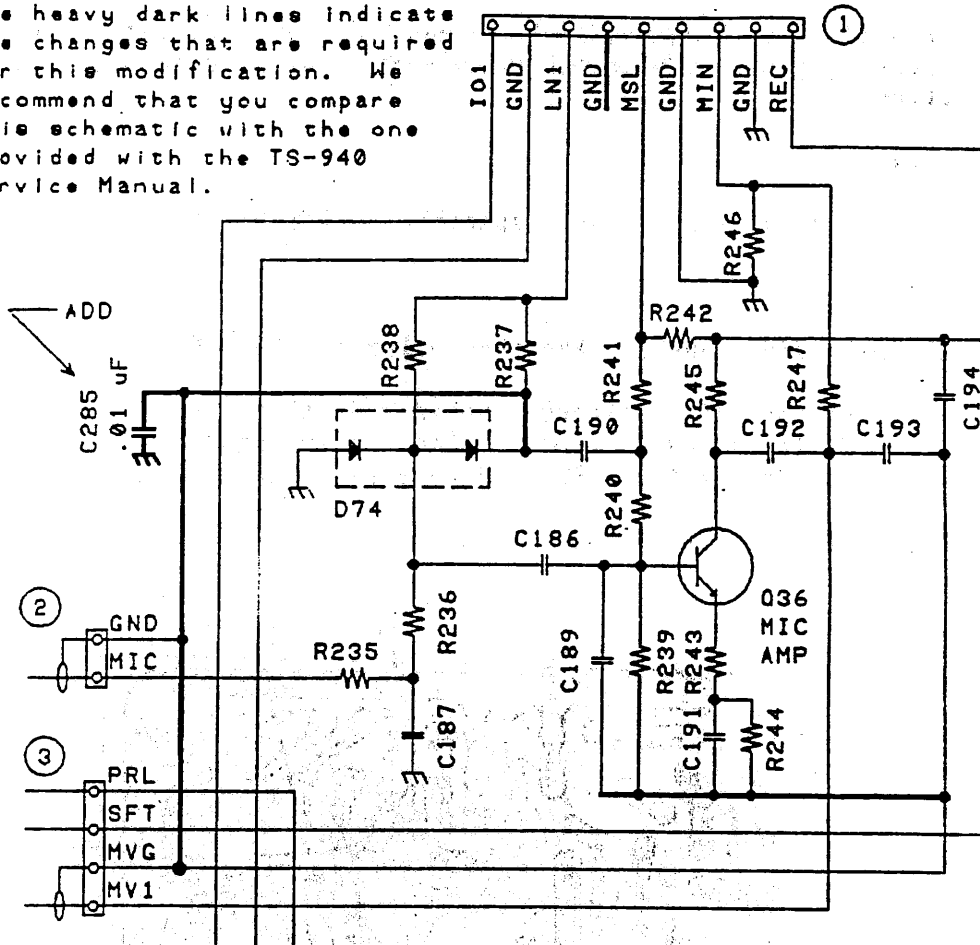
This change will be included on all units shipped after 9-15-86.



PAGE 1 of 2

IF UNIT (X48-1430-00)

The heavy dark lines indicate the changes that are required for this modification. We recommend that you compare this schematic with the one provided with the TS-940 Service Manual.



Time required for this modification is 1 hour or less. (C)82086TKCCLM