

KENWOOD

SB-948

SERVICE BULLETIN AMATEUR RADIO

PAGE 1 OF 2

SUBJECT	DATE
TS-440S NOTCH FILTER LOW FREQUENCY IMPROVEMENTS	01/20/89

The low frequency attenuation characteristics of the notch filter can be improved by reducing the input level to the notch filter chip (IC1). To compensate for the loss of input level, the amount of negative feedback to the audio amplifier (IC7) will need to be reduced. This modification is already incorporated in all models beginning with serial number 704XXXX.

REQUIRED PARTS:

120K OHM, 1/6 WATT RESISTOR RD14CB2C124J
390 OHM, 1/6 WATT RESISTOR RD14CB2C391J

1. Disconnect the power supply and antenna.
2. Using a #2 Phillips screw driver, remove the 9 screws from the top cover. Remove the top cover from the transceiver and unplug the speaker wire.
3. Locate resistors R86 and R229 on the component side of the IF board (Figure 1).
4. Using a #1 Phillips screw driver, remove the 7 screws that secure the IF unit to the chassis of the transceiver.
5. Pull the board up and rotate it towards the front of the transceiver to expose the foil side of the board.
6. Desolder and remove both resistors from the board.
7. Install and solder a 102K ohm resistor in place of R86.
8. Install and solder a 390 ohm resistor in place of R229.
9. Assemble the transceiver by reversing steps 1 - 5.

This is an optional change that may not be performed under warranty. Time required for this modification is 0.5 hrs or less. (C) 110788TKC

KENWOOD U.S.A. CORPORATION

2201 EAST DOMINGUEZ STREET - LONG BEACH, CALIFORNIA 90810
MAILING: P.O. BOX 22745 - LONG BEACH, CALIFORNIA 90801-5745
TELEPHONE: (213) 639-9000

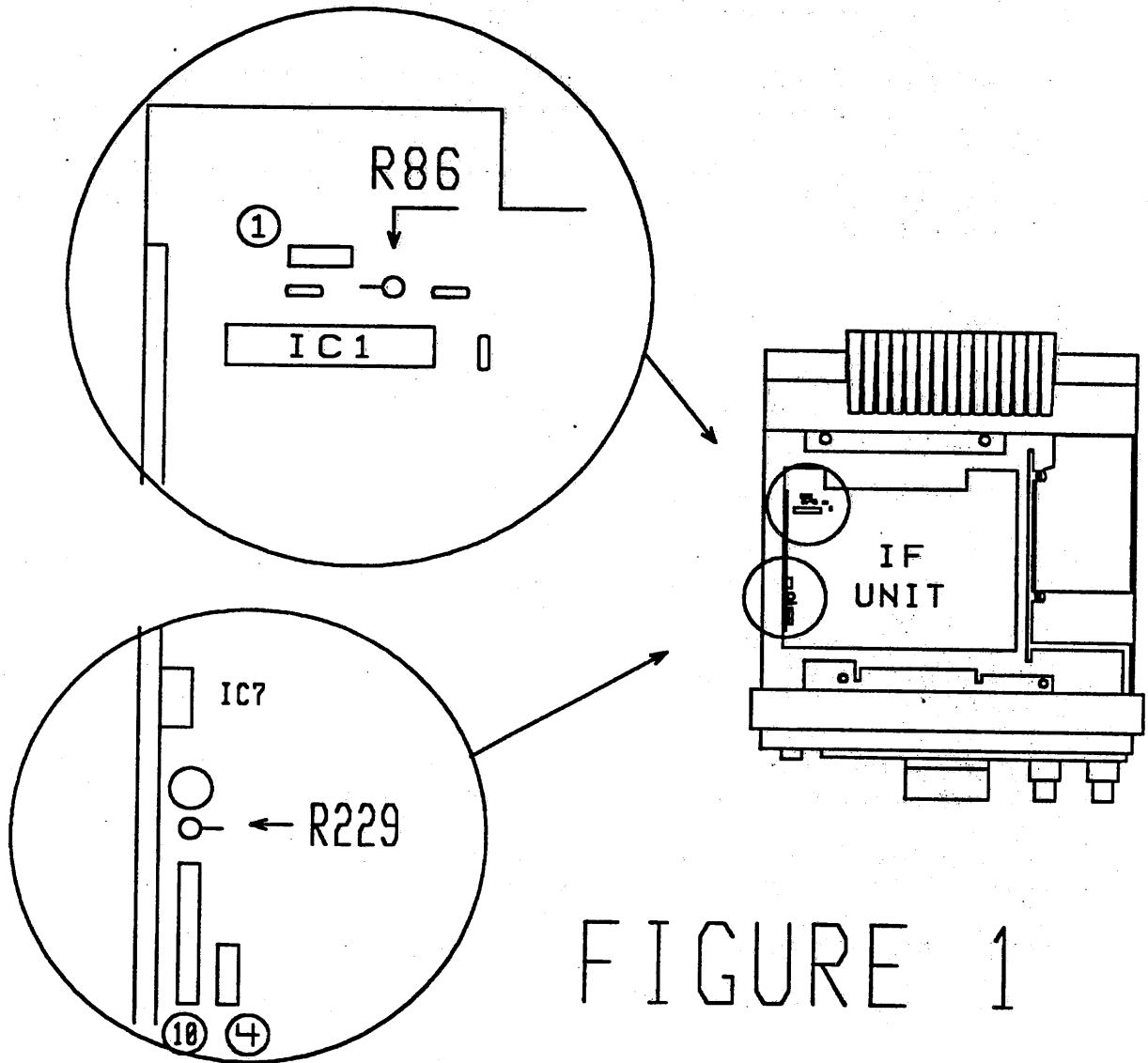


FIGURE 1