

# KENWOOD

SB-970

## SERVICE BULLETIN AMATEUR RADIO

SUBJECT SM-230 BANDSCOPE ATTENUATION

DATE 05/29/90

When the SM-230 is used as a bandscope, the attenuator circuit is bypassed. Sometimes it is necessary to use the attenuator during strong signal reception or high noise conditions. The following modification will allow the attenuator circuit to function in the bandscope mode.

### REQUIRED PARTS:

W05-0309-00 ATT SUB-UNIT

1. Disconnect the power cord and patch cords.
2. Remove the top cover (6 screws).
3. Remove the Horizontal unit's mounting screw and secure the ATT sub-unit with the supplied 2.6mm screw and washer.
4. Remove connector P12 from the Horizontal unit and insert it into jack P1 on the ATT sub-unit.
5. Insert connector JA from the ATT sub-unit into jack P12 on the Horizontal unit.
6. Insert the two wire plug, supplied in the kit, into jack P2 on the ATT sub-unit.
7. Solder the exposed ends of the red and the brown wires to the Panel unit as shown in figure 2.
8. Solder the two jumper wires (they look like resistors) as shown in figure 2.

PAGE 1 OF 2

This modification may be covered under warranty.  
Time required to perform the modification is 0.5 hrs. or less.  
Copyright (C) 060190EWP for Kenwood U.S.A. Corporation.

KENWOOD U.S.A. CORPORATION

2201 EAST DOMINGUEZ STREET - LONG BEACH, CALIFORNIA 90810  
MAILING: P.O. BOX 22745 - LONG BEACH, CALIFORNIA 90801-5745  
TELEPHONE: (213) 639-9000

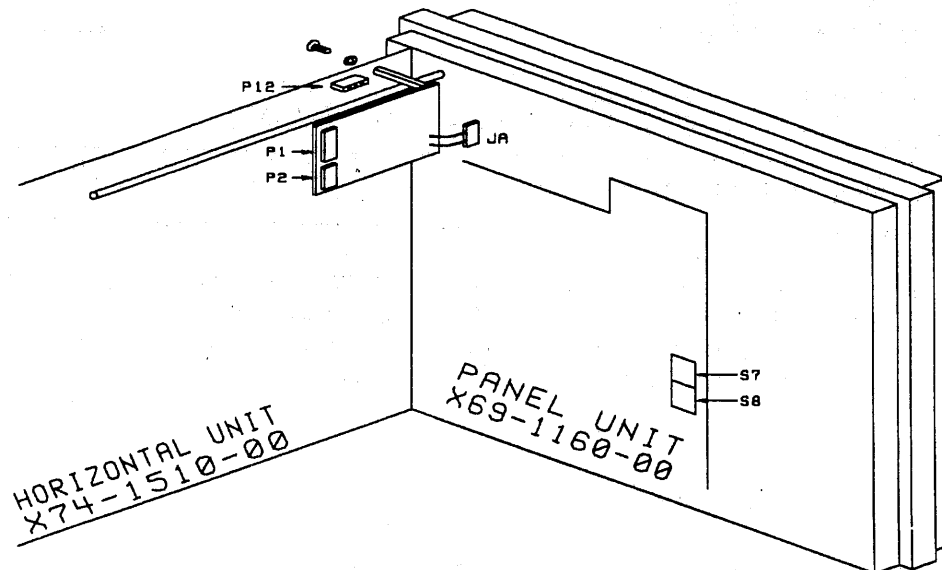
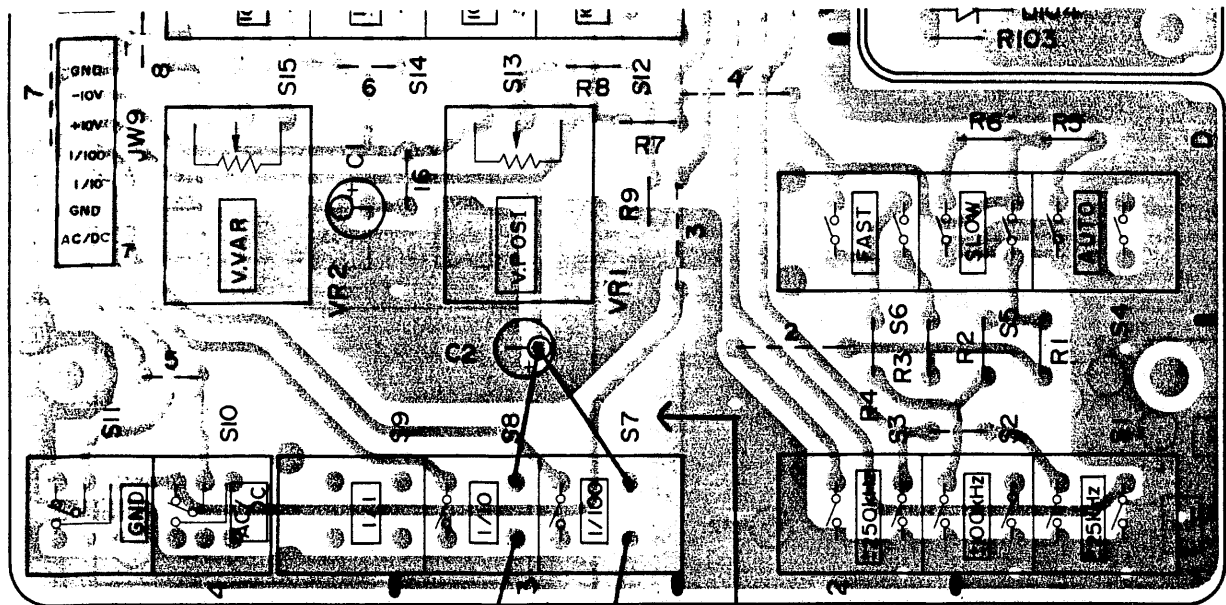
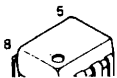


FIGURE 1



NJM4558D



PANEL UNIT (X69-1160-00) FOIL SIDE VIEW

FIGURE 2