

KENWOOD

ASB-995

SERVICE BULLETIN

Amateur Radio Division

SUBJECT

TS-450/TS-690 Calibration Cable Change

DATE

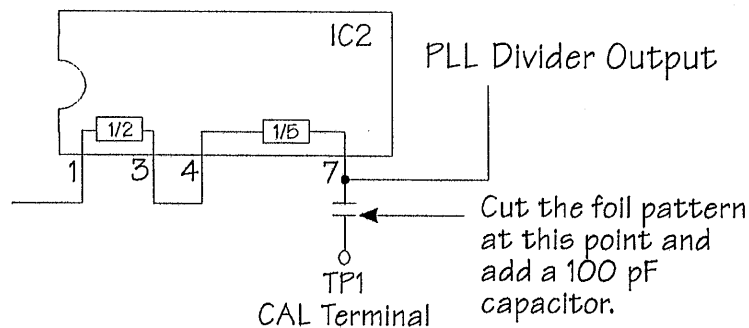
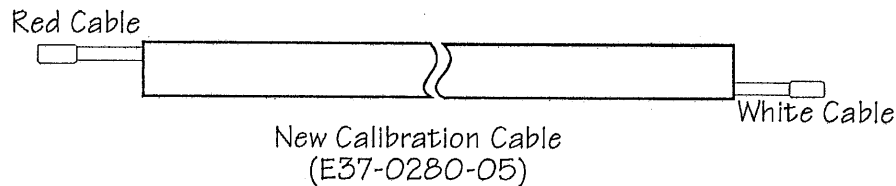
May 11, 1992

The TS-450/690 may not calibrate properly against WWV (JJY) when using the calibration cable that is supplied with early versions of these sets, (Serial numbers below 311XXXX) and when an antenna that is shorted for DC is used. A dipole with a balun is a prime example of a DC shorted antenna. This failure is antenna specific; i.e. multiband beams and other similar antennas do not cause this failure.

A new calibration cable is available that provides proper DC isolation. Failure to use the new style cable will result in a PLL unlock condition when calibration is attempted. A temporary countermeasure that can be used until the new cable is obtained is to use a two conductor shielded wire. A minor circuit modification that adds a 100 pF isolation capacitor should also be performed. Please refer to the diagrams below for modification notes.

Parts Required:

E37-0280-05	Calibration Cable Assembly	1 Ea.
CK73FCH1H101J	100 pF Capacitor	1 Ea.



Time required for this modification is 30 minutes.

Copyright Kenwood U.S.A. 051292 (CLM)

Communications & Test Equipment Group

KENWOOD U.S.A. CORPORATION
Communications & Test Equipment Group
2201 E. Dominguez Street
Long Beach, California 90810
Phone: (310) 639-7140
FAX: (310) 631-3913