

KENWOOD

ASB-1005

Service Bulletin

Amateur Radio Division

Subject: TM-732A/E Change in Chip Fuse Rating
1993

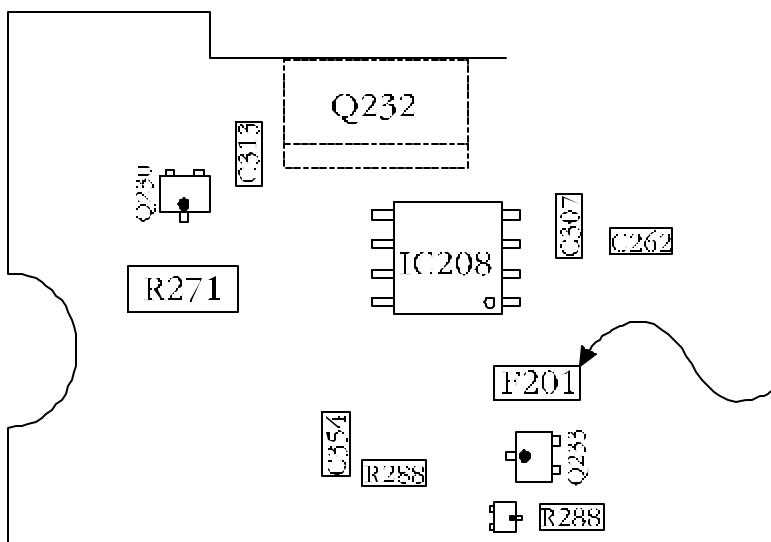
Date: May 10,

Parts Change:

Change the chip fuse from 1A to 1.2A in the 430 MHz Unit (X57-4000-11 B/4) whenever servicing this board.

Parts Required:

Qty	Description	Kenwood Part No.	Circuit Description
1	Chip Fuse, 1.2 Amp	F53-0095-05	F201



TX-RX Unit 430 MHz
(X57-4000 B/4)
Foil side.

Caution: This modification requires soldering equipment rated for CMOS type circuits. It also requires familiarity with surface mount soldering techniques. If you do not have the proper equipment or knowledge do not attempt this modification yourself. Seek qualified assistance.

Time required for this modification is 15 minutes or less.

Service code A:01 B:X57-4000-11 B/4 C:F201 D:91