

KENWOOD

ASB-1009

Service Bulletin

Amateur Radio Division

Subject: TS-950SDX 3rd Order IMD Standardization **Date:** January 25, 1993

Symptom:

3rd Order IMD figures have been noted that do not meet our standard value of -32 to -35 dB.

Cause:

We have found that this symptom can be caused by either improper bias to the final transistors and/or because of distortion introduced by the 73.05 MHz IF mixer circuit.

Parts Required:

Qty	Description	Kenwood Part No.	Circuit Designator
3	150 ohm chip resistor	RK73FB2A151J	R195, R197, R198
1	4.7 Kohm chip resistor	RK73FB2A472J	R204
2	22 ohm carbon resistor	RC05GF2H220J	R19, R20

Procedure:

1. On the Final Unit (X45-3450-00) change R19 and R20 from 10 ohms to 22 ohms. (Fig. 1)
2. On the IF Unit (X48-3100-00): (Fig. 2)
 - a. Change R195 from 56 ohms to 150 ohms
 - b. Change R197 from 220 ohms to 150 ohms
 - c. Change R198 from 220 ohms to 150 ohms
 - d. Change R204 from 10K ohms to 4.7K ohms

No additional adjustments or modifications will be required.

Caution: *This modification requires soldering equipment rated for CMOS type circuits. It also requires familiarity with surface mount soldering techniques. If you do not have the proper equipment or knowledge do not attempt this modification yourself. Seek qualified assistance.*

Time required for this modification is 30 minutes or less.

KENWOOD

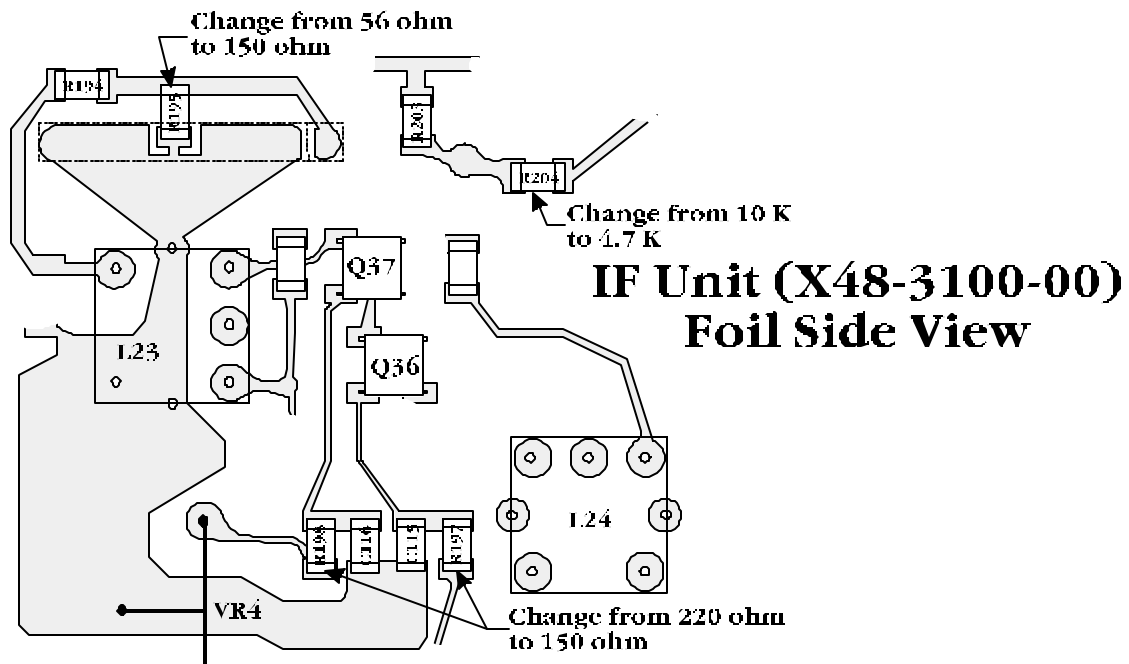
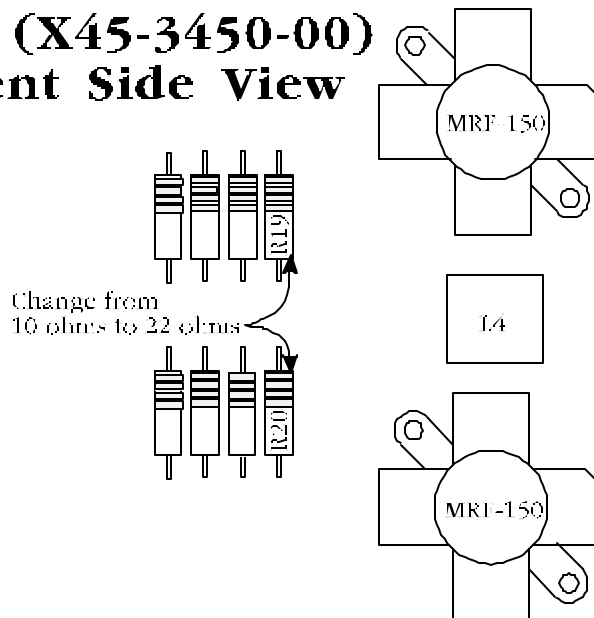
ASB-1009

Service Bulletin

Amateur Radio Division

Subject: TS-950SDX 3rd Order IMD Standardization **Date:** January 25, 1993

Final Unit (X45-3450-00) Component Side View



Time required for this modification is 30 minutes or less.

©12593 by CLM for Kenwood U.S.A (E51-92-064)

Page 2 of 2