

KENWOOD

ASB-1013

Service Bulletin

Amateur Radio Division

Subject: TH-78A/E Left Encoder Inoperative
1993

Date: May 7,

Symptom:

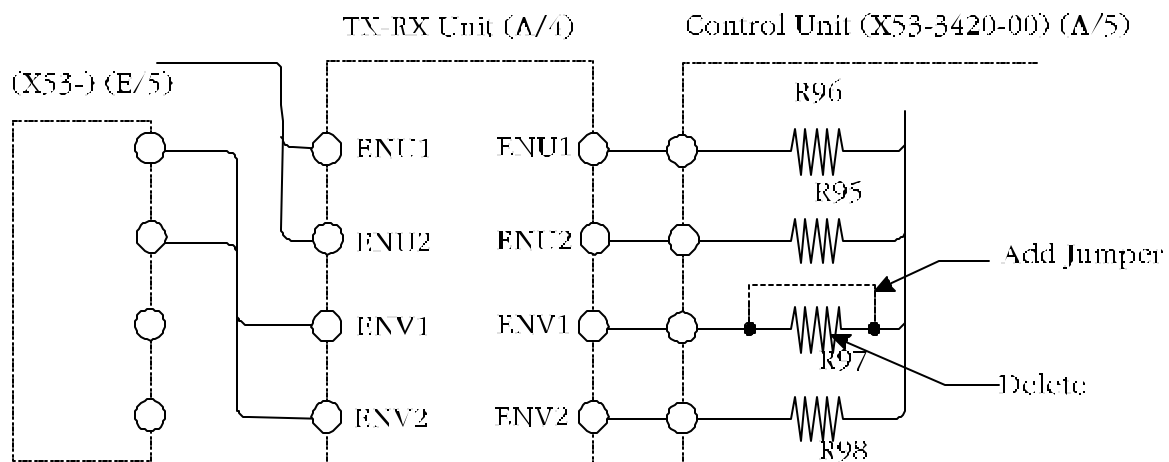
The left encoder on the top panel does not work. This symptom usually occurs when the unit is reassembled after service.

Cause:

If the front panel is removed without removing the top panel the Control unit might come in contact with the encoder mounting hardware. This causes chip resistor R97 to be sheared from the board.

Corrective Action:

Delete chip resistor R97 from the control unit and add a short jumper wire in its place. Resistor R97 was used to prevent feedback during transmit. It has been confirmed by our engineering staff that the performance of the circuit will not be adversely affected by this change.



Time required for this modification is 30 minutes or less.

Service code A:13 B:X53-342X-XX C:R97 D:91