

# KENWOOD

ASB-1014

## Service Bulletin

Amateur Radio Division

**Subject:** TM-732A/E Noise at Squelch ON/OFF  
1993

**Date:** May 10,

### Symptom:

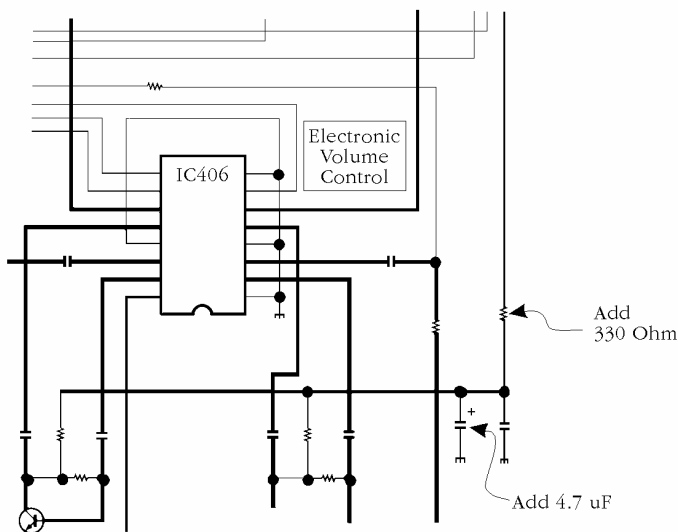
While receiving a signal on one band a noise is heard in the speaker whenever the squelch on the other band opens or closes.

### Corrective Action:

Add a 330 ohm resistor and 4.7 uF capacitor to the 5C line in the control unit (X57-4000-11 C/4). Cut the 5C line and add the 330 ohm resistor in series.

### Parts Required:

Qty	Description	Kenwood Part No.
1	330 ohm Resistor	RD14BB2C331J
1	4.7 uF Capacitor	C92-0507-05



**Caution:** This modification requires soldering equipment rated for CMOS type circuits. It also requires familiarity with surface mount soldering techniques. If you do not have the proper equipment or knowledge do not attempt this modification yourself. Seek qualified assistance.

Time required for this modification is 30 minutes or less.  
Service code A:09 B:X57-4000-

11 C/4 C:ADD D:91