

KENWOOD

ASB-1025

Service Bulletin

Amateur Radio Division

Subject: AT-50 Blows ACCY Fuse in TS-50S (Part 2) **Date:** June 25, 1993

(Supercedes ASB-1010 dated April 30, 1993)

Symptom:

Attempting to tune the AT-50 when it is connected to an antenna with a relatively high SWR value, especially on the 3.5 MHz band might cause the ACCY fuse to open in the TS-50S.

Parts Required:

<u>Qty</u>	<u>Description</u>	<u>Kenwood Part No.</u>	<u>Circuit Designation</u>
2	Toroidal coil	L33-0699-05	NA

Procedure:

1. Remove the top and bottom covers from the antenna tuner.
2. Locate X53-3470-00 D/4 (It is attached to the top left side of the chassis with the foil side up.)
3. Remove the two .047 μ F capacitors shown in figure 1 if they are present.
4. Cut the foil and add one of the toroidal inductors as shown in figure 2.
5. Turn the tuner over and locate capacitor C123 and C124, as shown in figure 3.
6. Move the capacitors (or add new capacitors) to the locations shown in figure 3.
7. Cut the foil path and add the remaining toroidal inductor as shown in figure 3.
8. Remove Jumper W106 as shown in figure 3. (Note remove the jumper from the component side of the board.)
9. Add a jumper from the ATG foil to W104 as shown in figure 3.
10. Replace the top and bottom covers.

No additional adjustments or modifications will be required.

Caution: *This modification requires soldering equipment rated for CMOS type circuits. It also requires familiarity with surface mount soldering techniques. If you do not have the proper equipment or knowledge do not attempt this modification yourself. Seek qualified assistance.*

Time required for this modification is 30 minutes or less.

Service code A:48 B:X53-3470-00 C:ADDL D:91

KENWOOD

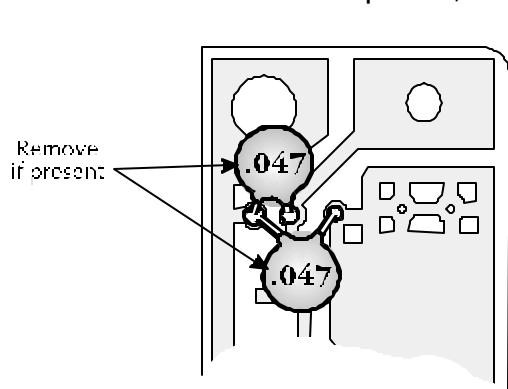
ASB-1025

Service Bulletin

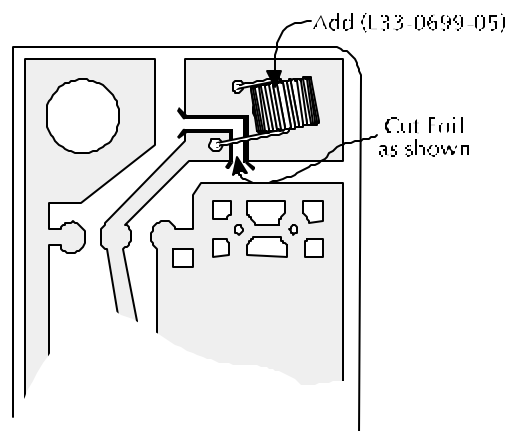
Amateur Radio Division

Subject: AT-50 Blows ACCY Fuse in TS-50S (Part 2) **Date:** June 25, 1993

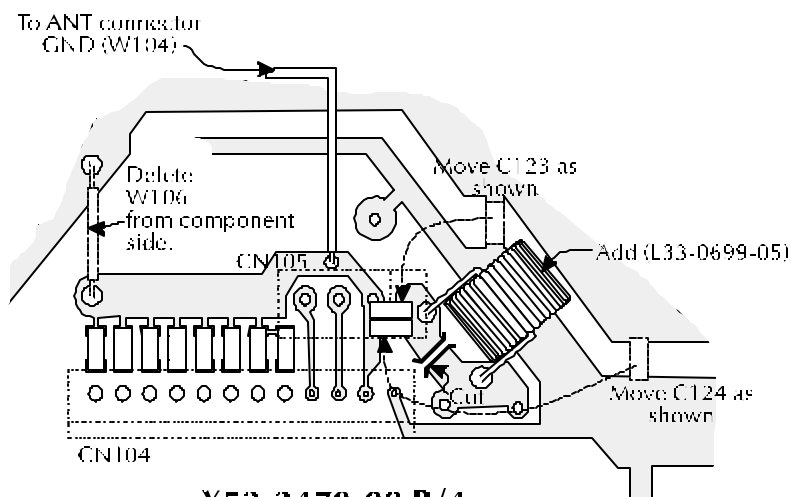
(Supercedes ASB-1010 dated April 30, 1993)



**X53-3470-00 D/4
Foil Side View
Figure 1**



**X53-3470-00 D/4
Foil Side View
Figure 2**



**X53-3470-00 B/4
Foil Side View
Figure 3**

Time required for this modification is 30 minutes or less.

Service code A:48 B:X53-3470-00 C:ADDL D:91

©43093 by CLM for Kenwood U.S.A (E51-93-030)

Page 2 of 2