

KENWOOD

ASB-1037

Service Bulletin

Amateur Radio Division

Subject: TH-78 IMD Improvements

Date: January 5, 1994

Symptom:

Reports of low sensitivity, improper scanning/no scan, S-meter deflection when the unit is subjected to strong out-of-band signals can all be improved by following this modification.

Corrective Action:

The following changes will decrease mixer currents and reduces the bandwidth of the Bandpass Filter (BPF).

Parts Required:

Qty	Description	Kenwood Part No.	Circuit Description
1	1 k ohm chip resistor	RK73GB1J391J	R80
1	3.3 k ohm chip resistor	RK73GB1J332J	R81
1	3 pF chip capacitor	CC73GCH1H030C	C100
1	18 pF chip capacitor	CC73GCH1H180C	C116
1	10 pF chip capacitor	CC73GCH1H100D	C155

Procedure:

1. Change R80 from 390 ohm to 1 k ohm.
2. Change R81 from 3.9 k ohm to 3.3 k ohm.
3. Change C100 from 1 pF to 3pF.
4. Change C118 from 33 pF to 18 pF.
5. Change C155 from 1000pF to 10 pF.

(See diagram on page 2 for parts locations.)

KENWOOD

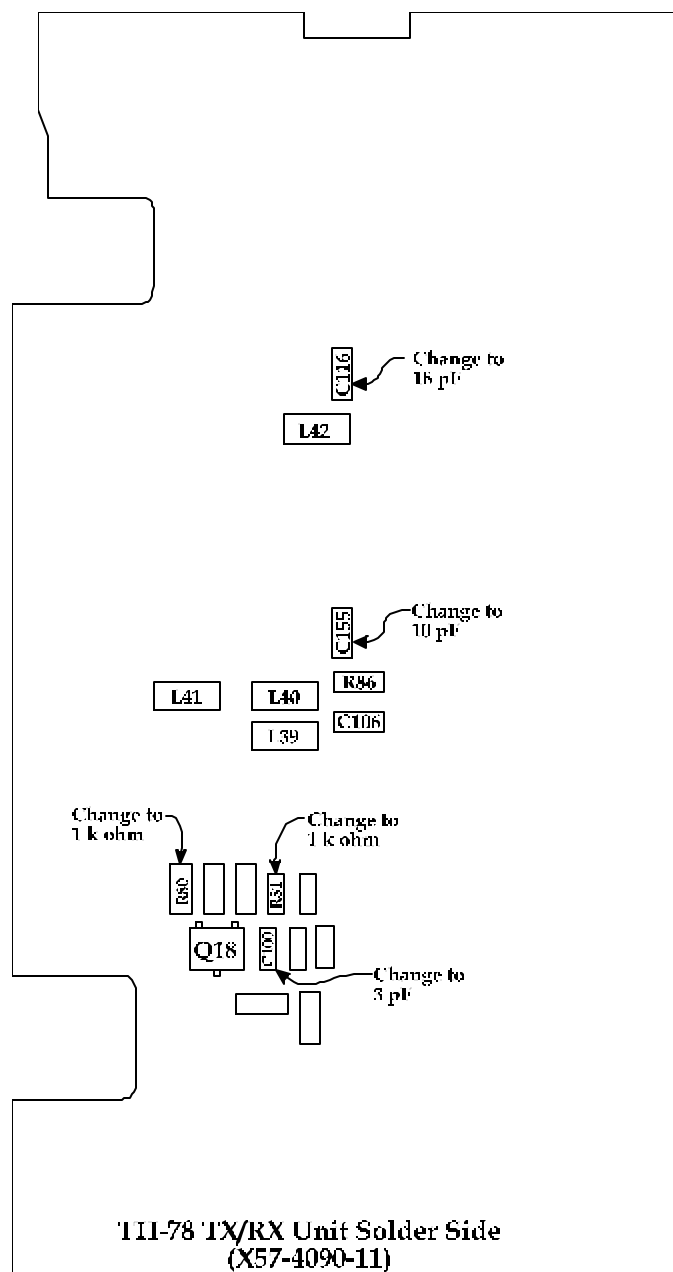
ASB-1037

Service Bulletin

Amateur Radio Division

Subject: TH-78 IMD Improvements

Date: January 5, 1994



Time required for this modification is 30 minutes or less.

Service Code A: 18 B: X57-4090B/4 C: R80 D: 91

©10594 by CLM for Kenwood Service Corporation (E51-93-058)

Page 2 of 2