

KENWOOD

ASB-1044

Service Bulletin

Amateur Radio Division

Subject: TS-50S Mechanical Noise from Final Unit

Date: March 28, 1994

Symptom:

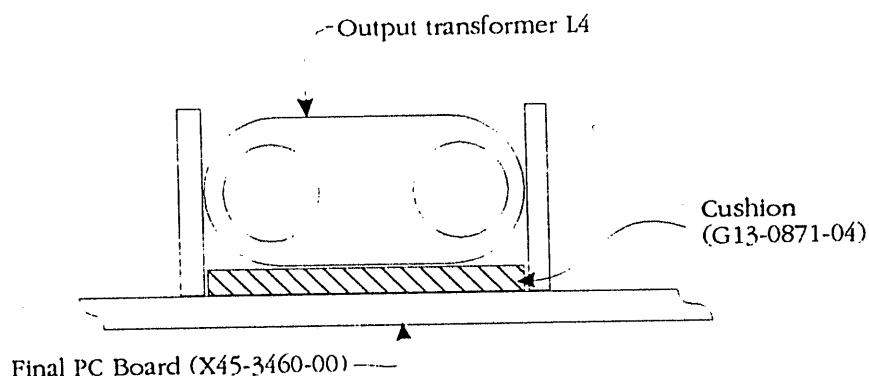
When the transceiver is subjected to vibration a mechanical noise can be heard from the output transformer area. This has led to concern by several consumers that something is loose or improperly installed.

Corrective Action:

In order to ease consumer concerns you should add a cushion under transformer L4 as shown in the accompanying diagram, and replace transformer L13 at the same time. This transformer has been fastened to the circuit board with high temperature adhesive, so use caution when removing it from the circuit board.

Parts Required:

Qty	Description	Old Part No.	New Part No.	Circuit Description
1	Cushion	NA	G13-0871-04	(Under L4)
1	Output Transformer	L39-1209-25	L39-1252-05	L13



Time required for this modification is 30 minutes or less.

Service code A:08 B:X45-3480-00 C:L13 D:91

©31694 by CLM for Kenwood Service Corporation (E51-93-059)

Page 1 of 1