

KENWOOD

ASB-1050

Service Bulletin

Amateur Radio Division

Subject: TS-950SDX Sub Band Residual Noise

Date: March 28, 1994

Symptom:

The level of residual noise (AF VOL at Min) on the SUB band is slightly higher than that of the MAIN band. This is especially true at audio frequencies of around 50 Hz, as viewed on a spectrum analyzer. As a result the SUB receiver is more susceptible to motor noise, such as might be generated by fans, refrigerators, etc.

Countermeasures:

Replacing the Control Unit electrolytic capacitors (C33, C34, and C39) with Tantalum capacitors, and adding the bypass capacitor to the Switch unit reduces or eliminates this symptom.

Parts Required:

Qty	Description	Kenwood Part No.	Circuit Description
1	0.1 uF 35v Tantalum cap	C92-0001-05	C33
1	1.0 uF 16v Tantalum cap	C92-0004-05	C34
1	10 uF 16v Tantalum cap	C92-0505-05	C39
1	.01 uF disc capacitor	CK45B1H103Z	NA

Caution: This modification requires advanced surface mount soldering equipment that is rated for CMOS circuits. It also requires familiarity with advanced surface mount soldering techniques. If you do not have the proper equipment or knowledge do not attempt this modification yourself. Seek qualified assistance from your closest Kenwood Service Center (Long Beach, CA, or Virginia Beach, VA).

Time required for this modification is 60 minutes or less.

Service code A:09 B:X53-3380-00 C:C33, 34, 39 D:91

©31894 by CLM for Kenwood Service Corporation (E51-92-044, E51-92-060)

Page 1 of 2

KENWOOD

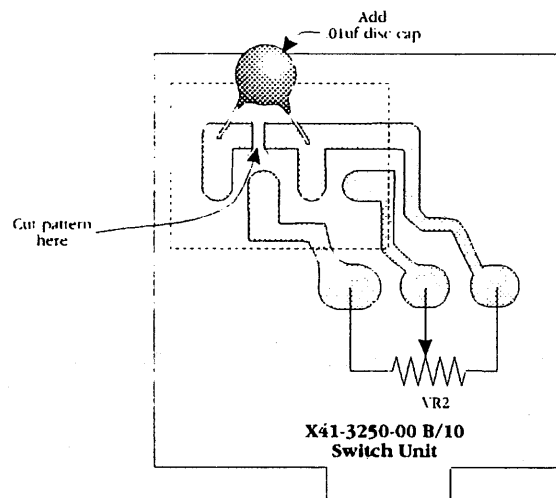
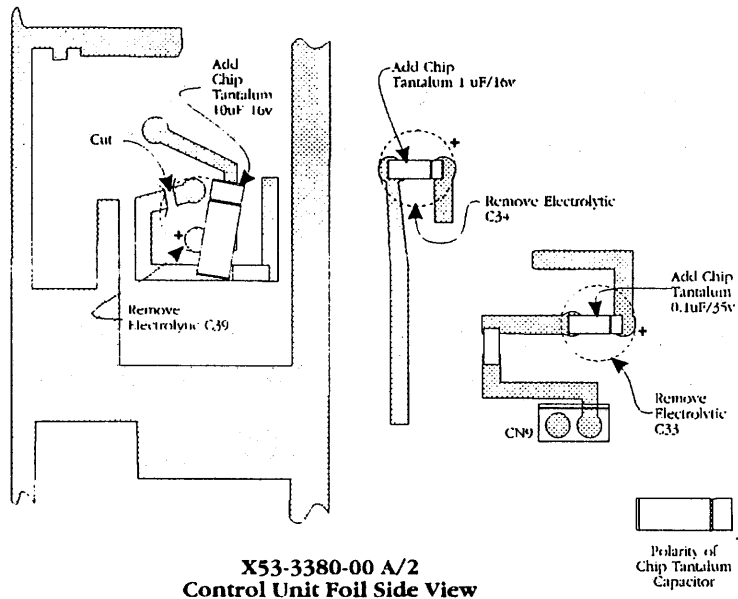
ASB-1050

Service Bulletin

Amateur Radio Division

Subject: TS-950SDX Sub Band Residual Noise

Date: March 28, 1994



Time required for this modification is 60 minutes or less.

Service code A:09 B:X53-3380-00 C:C33, 34, 39 D:91