

KENWOOD

ASB-1056

Service Bulletin

Amateur Radio Division

Subject: TM-732A/E APC Circuit Improvement
2006

Date: December 5,

Symptom:

Failures of APC circuit transistor Q232 can occasionally be attributed to the gain dispersion characteristics of the VHF power module. Some of these devices allow normal transmit power output even with reduced "DB" terminal voltages. If the unit is then operated for extended transmit key down periods Q232 can overheat and fail.

Corrective Action:

1. Measure the transmit power output and the "DB" terminal voltage at a dial frequency of 145.020 MHz.
2. Add the 1 dB circuit if the transmitter power is 60 W or greater and the "DB" terminal voltage is 10 vdc or less.
3. After adding the attenuator, re-adjust the transmitter output power for 50 W and check the "DB" voltage. The "DB" voltage should now fall between 10 and 11 vdc. If it does not adjust the values for R98, R100, and R99 until this voltage range is obtained.

Parts Required:

Qty	Description	Part No.	Circuit Description
*	820 ohm chip resistor	RK73FB2A821J	R98, R100
*	470 ohm chip resistor	RK73FB2A471J	R98, R100
*	270 ohm chip resistor	RK73FB2A271J	R98, R100
*	5.6 ohm chip resistor	RK73FB2A5R6J	R99
*	10 ohm chip resistor	RK73FB2A100J	R99
*	18 ohm chip resistor	RK73FB2A180J	R99

*Note: Quantities vary depending upon level of attenuation required to meet requirements of step 3.

KENWOOD

ASB-1056

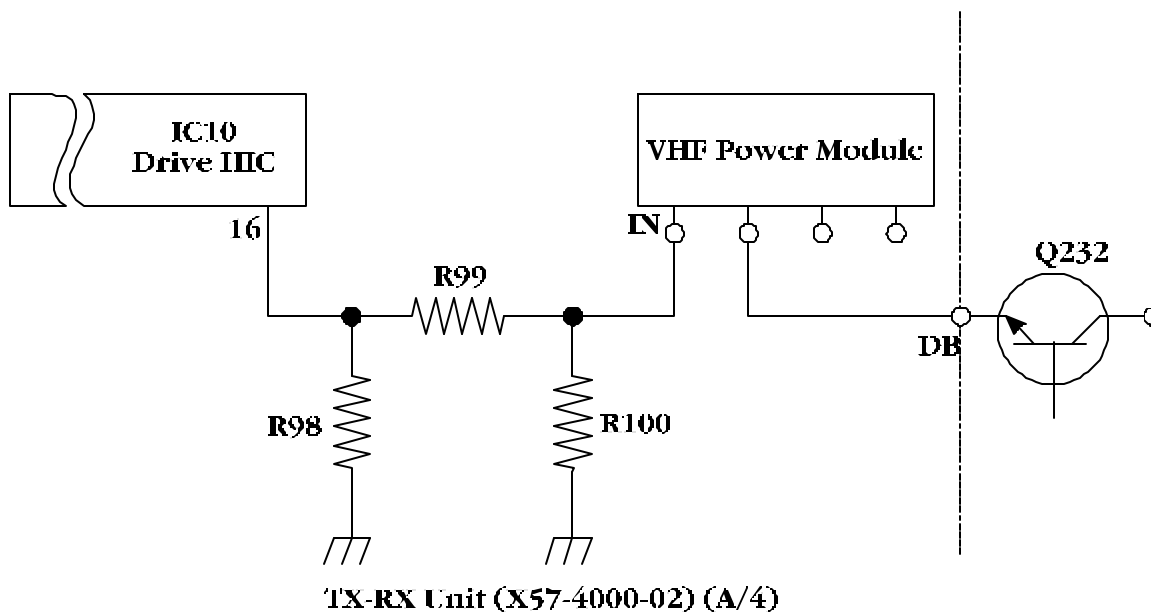
Service Bulletin

Amateur Radio Division

Subject: TM-732A/E APC Circuit Improvement
2006

Date: December 5,

Pad Attenuation	R98, R100	R99
1 dB	820 ohm	5.6 ohm
2 dB	470 ohm	10 ohm
3 dB	270 ohm	18 ohm



Time required for this modification is 60 minutes or less.

Service code A:84 B:X57-4000 C:R99 D:91

©32594 by CLM for Kenwood Service Corporation (E510-94-009)

Page 2 of 2