

# KENWOOD

ASB-1058

## Service Bulletin

Amateur Radio Division

**Subject:** TM-455A/E Change in Pin Diode  
2006

**Date:** December 5,

### Symptom:

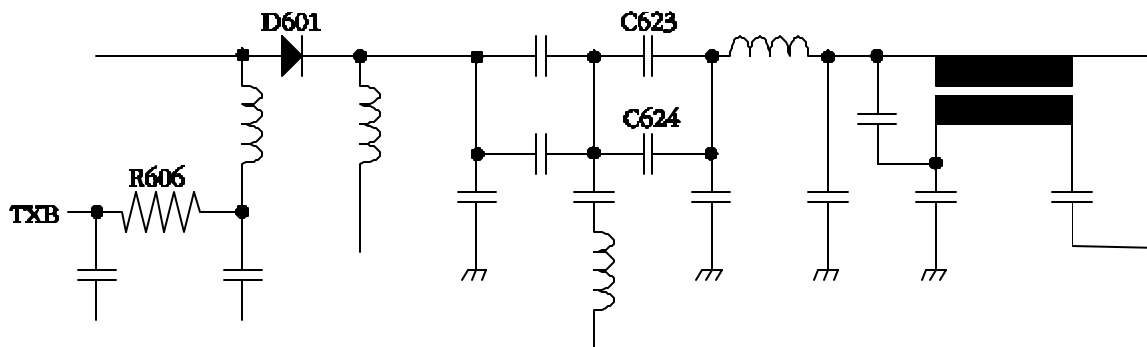
Some early versions of the TM-455A/E have been discovered with a bad solder connection at the final module pin diode, D601. If the impedance of this device is too low, the power consumption for this device goes up. This increased power consumption might cause excessive heating of the solder connections, and may result in a failure of the connection(s) after long FM transmissions.

### Countermeasure:

On the TX/RX unit replace diode D601 with a UM9401, change R606 to 100 ohms, change C623 to 5 pF, and C624 to 12 pf. After replacing these parts, readjust the NULL and Protection circuit using the procedures provided in the Service Manual.

### Parts Required:

Qty	Description	Part No.	Circuit Description
1	Pin diode	UM9401	D601
1	100 ohm chip resistor	RS14DB3A101J	R606
1	5 pF chip capacitor	CM73F2H050D	C623
1	6 pF chip capacitor	CM73F2H060D	C624



**TX-RX Unit (X57-4510-00 C/5)**

Time required for this modification is 60 minutes or less.

©32594 by CLM for Kenwood Service Corporation (E510-94-007) Service code A:34 B:X57-347X-XX C:IC206 D:91

