



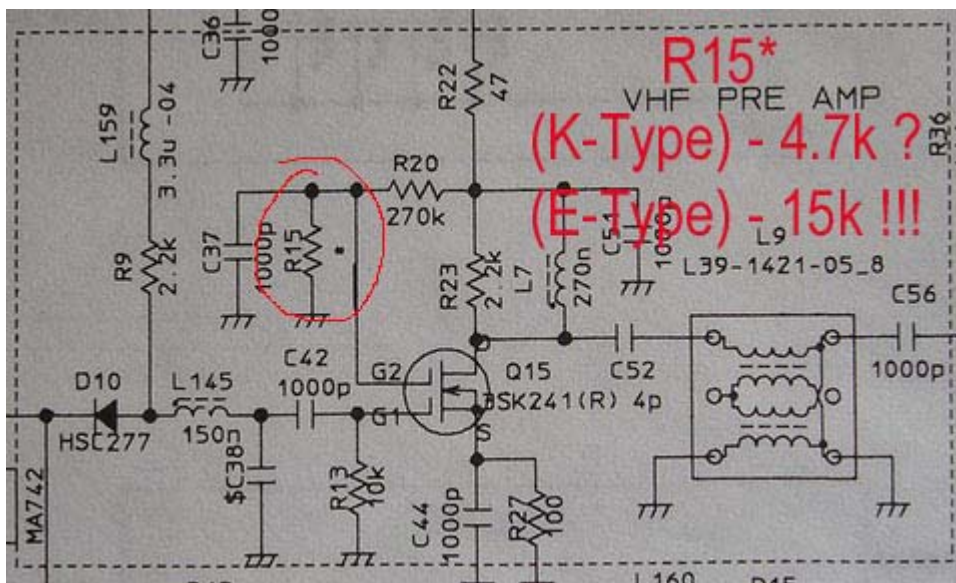
KENWOOD

Do not get in it will kill!!! Think well! (Everything that you do with your transceiver - this is your the private affair! Naturally the firm KENWOOD and the author of this page responsibility for your actions they do not bear!)

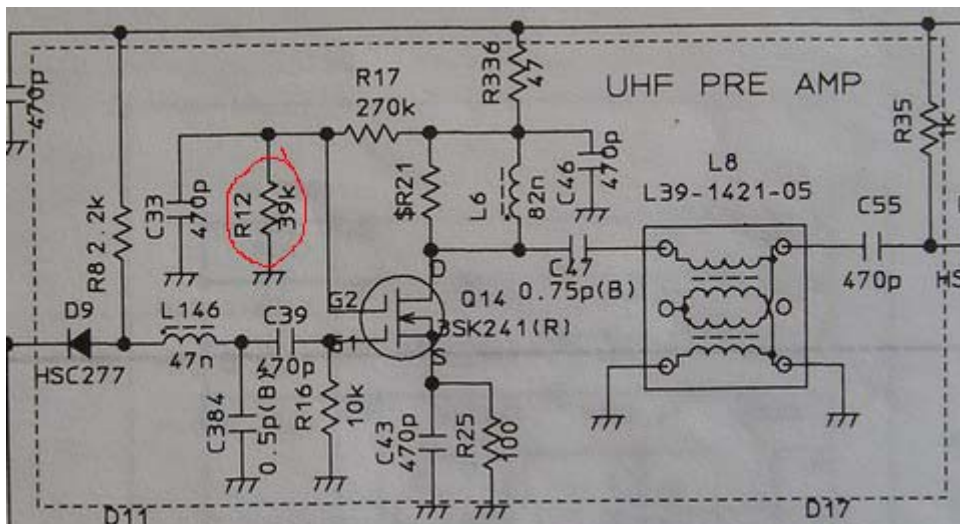
5. Increase in the sensitivity TS-2000 (K-type) in the range 2 meters.

(My comrade untwisted this theme UT7GA after acquisition the transceiverA American version). The essence of problem consists in the intentional reduction in the sensitivity by the producer of transceiver (K-type) in the range 2 meters. Moreover is made this not entirely correctly, by closing the second lock of the transistor OF UHF, which naturally negatively was reflected in dynamic range

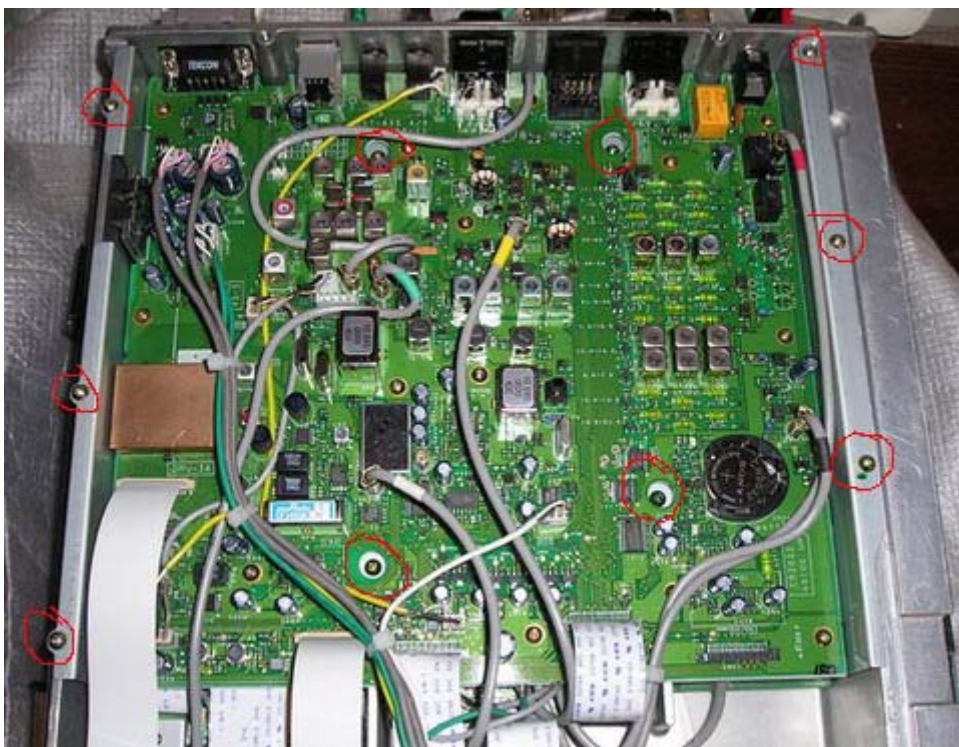
(you look "Product of review" from the periodical QST, № 6 2001). Further for an example you will look and will compare the schematic diagram OF THE UHF range of 2 meters:



And the schematic diagram OF THE UHF range of 70 centimeters:



*I think commentary they are superfluous, by the way in the European version everything is made correctly! Well and now recommendation - as to reach **the resistor Of r15, which must be replaced by the analogous SMD resistor with a resistance of 22-36k**. The dismantling of transceiver - you will unscrew 10 screws of fastening lower protective housing, and remove it:*



*After unscrewing 10 screws “of [samorezov]” of fastening the block **TX-RX UNIT** we accurately raise it even we turn over, you look the following photo:*



We further unscrew 13 screws “of [samorezov]” of fastening the module "VU RF", see. the photo:



And having accurately disconnected connecting joints we extract module, see the

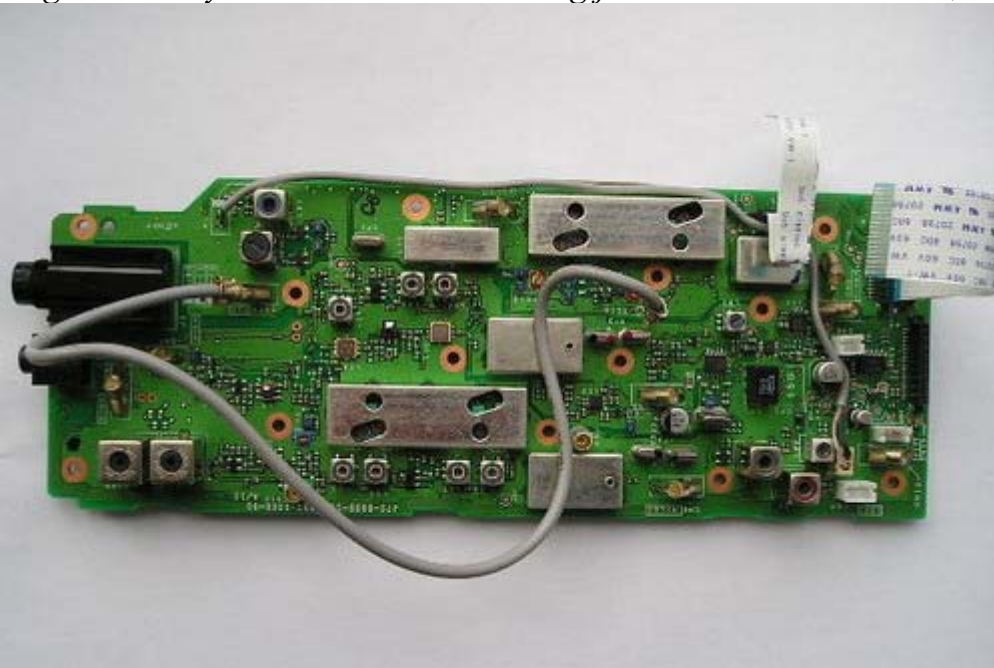
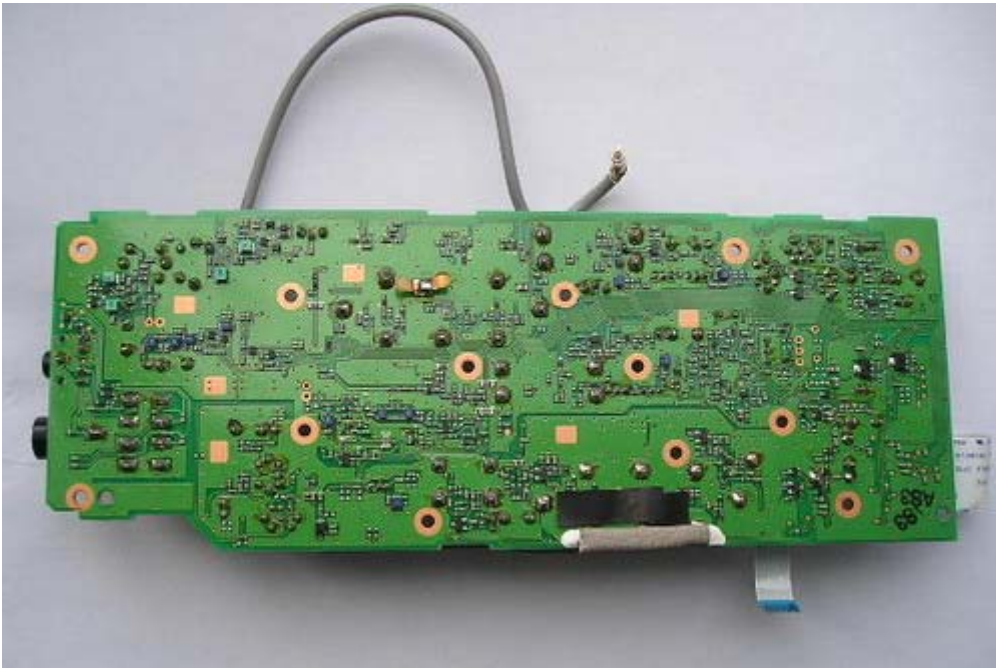
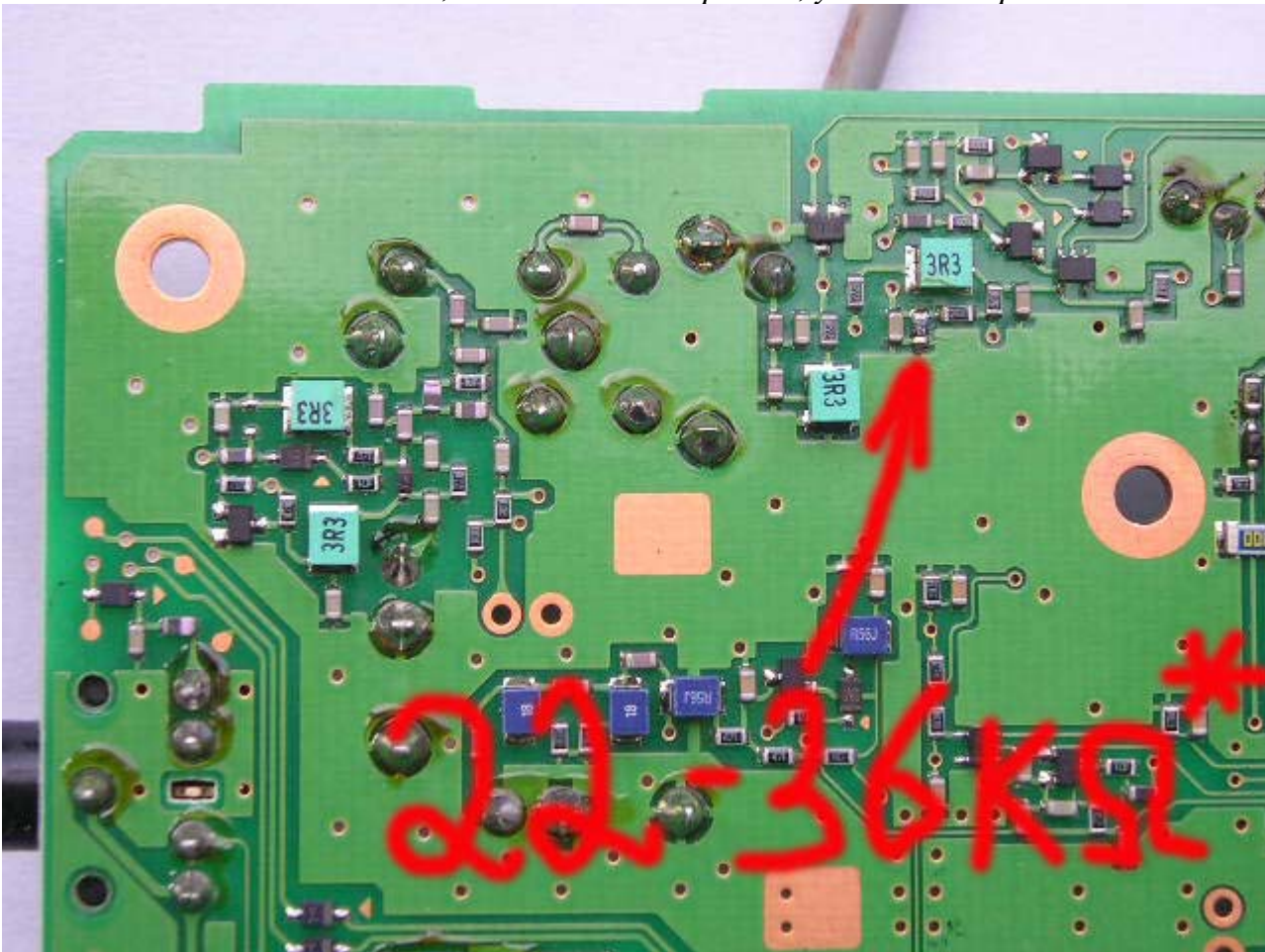


photo:

We accurately turn over module and we above to the left find the necessary unit:



But here also that resistor R15, which must be replaced, you look the photo:



** the notes of the author:*

1. With the use "external" antenna preamplifier this article is not urgent...

2. In the transceivers of the issue of 2006, the modification is produced at “the factory”, (QED!)

3. And to the hors d oeuvre - **With the installation works do not forget, to observe the measures for protection from static electricity!**

Wasil UU2JJ uu2jj@ukr.net

[/ to return to the main thing /](#) [into \[ernutsya\] into the theme /](#)

Получи бесплатно: неограниченный почтовый ящик,
 POP/IMAP/SMTP, антиспам, антивирус,
 бесплатный хостинг и многое другое... ✉

ПОЛУЧИ ПРЯМО СЕЙЧАС!

" size="20" style="width: 85px;"

onClick="document.forms.sign_up.elements.reg_login.value=";
@pochta.ru
▼
»»»