

I/O Panel Plates

For all VME based systems, one or more I/O panels exist for use by add-in boards. These I/O Panels Plates typically screw into an opening on the I/O Panel and then connect to the internal board. There are four different styles of I/O Panel Plates on the various IRIS systems. The table below shows the types and the chassis where they can be found.

The Indigo, Indigo² and Indy products do not have any I/O Panel Plates other than the openings available for either GIO or EISA boards.

Chassis Style	Type I	Type II	Type III	Type IV
Twin Tower	X		X	
Single Tower (Diehard)	X		X	
Rack (Predator)	X		X	
Personal IRIS		X		
Single Tower (Diehard2)	X		X	
Rack (Terminator)				X
Single Tower (Eveready)				X

Table 79 I/O Panel Plate Styles on IRIS Systems

Type I I/O Panel Plate

Plate Drawing

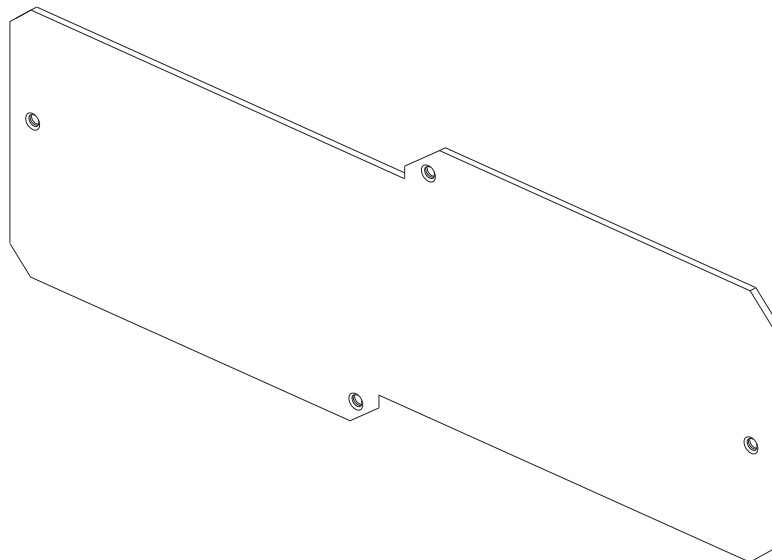


Figure 55 Type I I/O Plate

Type II I/O Panel Plate

Plate Drawing

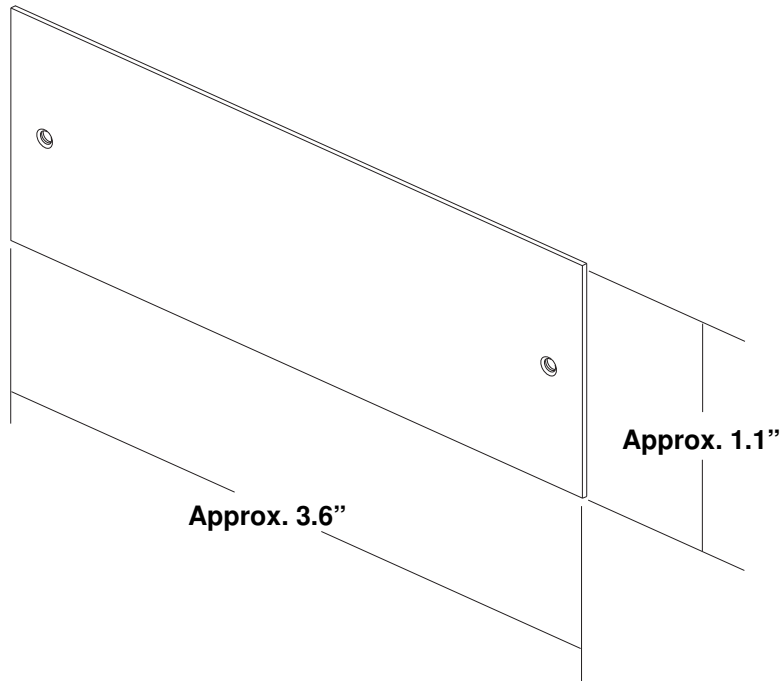


Figure 56 Type II I/O Plate

Type III I/O Panel Plate

This plate takes the place of the Type I plate. It can replace the earlier design, but because it does not have the “jogs” in the shape, it cannot be used next to an older, Type I, plate.

Plate Drawing



Figure 57 Type III I/O Plate

Type IV I/O Panel Plate

Plate Drawing

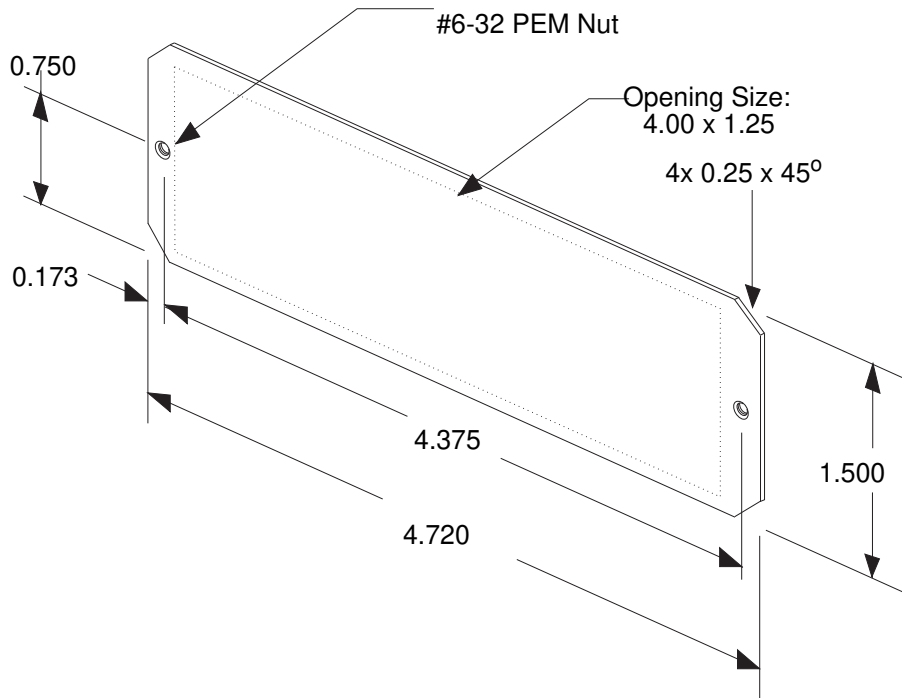


Figure 58 Type IV I/O Plate