

Personal IRIS - TFLU Chassis

This chassis is fundamentally similar to the original Personal IRIS chassis. The main difference is the fact that the system drive is no longer fixed in place inside the chassis, but accessible from the front via a removable skin piece. The drive is mounted on a drive sled for easy installation and removal. Once the Totally Front Loading Unit (TFLU) chassis was introduced, all Personal IRIS shipments were made with this new chassis.

Since the E-Modules used in the TFLU chassis and the original chassis are the same, their I/O panels (shown in the previous section) will not be repeated here.

Front & Rear View

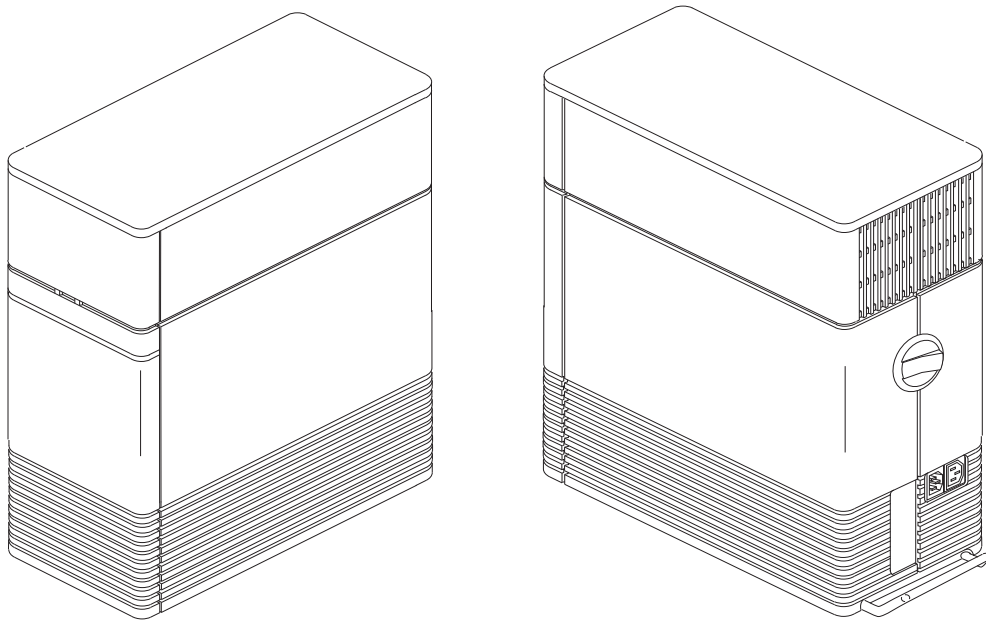


Figure 17 Personal IRIS TFLU Chassis - Front & Rear Quarter Views